



PREMIER SCALE GP-35 DIESEL ENGINE

20-2233-1	20-2169-0	22-2173-0	20-2160-1	20-2239-0	20-2178-5	20-2166-0
20-2236-0	20-2234-5	20-2176-1	20-2159-1	20-2161-5	20-2231-1	20-2179-0
20-2172-1	20-2164-1	20-2235-0	20-2177-5	20-2157-0	20-2236-1	20-3332-5
20-2170-1	20-2173-5	20-2163-0	20-2239-5	20-2178-1	20-2167-1	20-2237-5
20-2234-1	20-2170-0	20-2174-0	20-2161-1	20-2240-0	20-2179-5	20-2167-1
20-2237-0	20-2235-5	20-2177-1	20-2157-5	20-2160-0	20-2232-1	20-2180-0
20-2173-1	20-2165-1	20-2239-1	20-2175-0	20-2158-0	20-2237-1	20-2230-0
20-2171-1	20-2174-5	20-2164-0	20-2240-5	20-2179-1	20-2168-1	20-2161-0
20-2235-1	20-2171-0	20-2157-1	20-2162-1	20-2241-0	20-2180-5	20-2168-0
20-2238-0	20-2233-0	20-2175-5	20-2158-5	20-2231-0	20-2230-5	20-2238-5
20-2174-1	20-2163-5	20-2240-1	20-2176-0	20-2159-0	20-2238-1	20-2162-0
20-2170-5	20-2172-0	20-2165-0	20-2241-5	20-2180-1	20-2167-5	20-2169-1
20-2233-5	20-2175-1	20-2158-1	20-2160-5	20-2230-1	20-2178-0	
20-2163-1	20-2234-0	20-2176-5	20-2159-5	20-2232-0	20-2231-5	
20-2172-5	20-2165-5	20-2241-1	20-2177-0	20-2166-1	20-2236-5	

PARTS LIST & EXPLODED VIEW

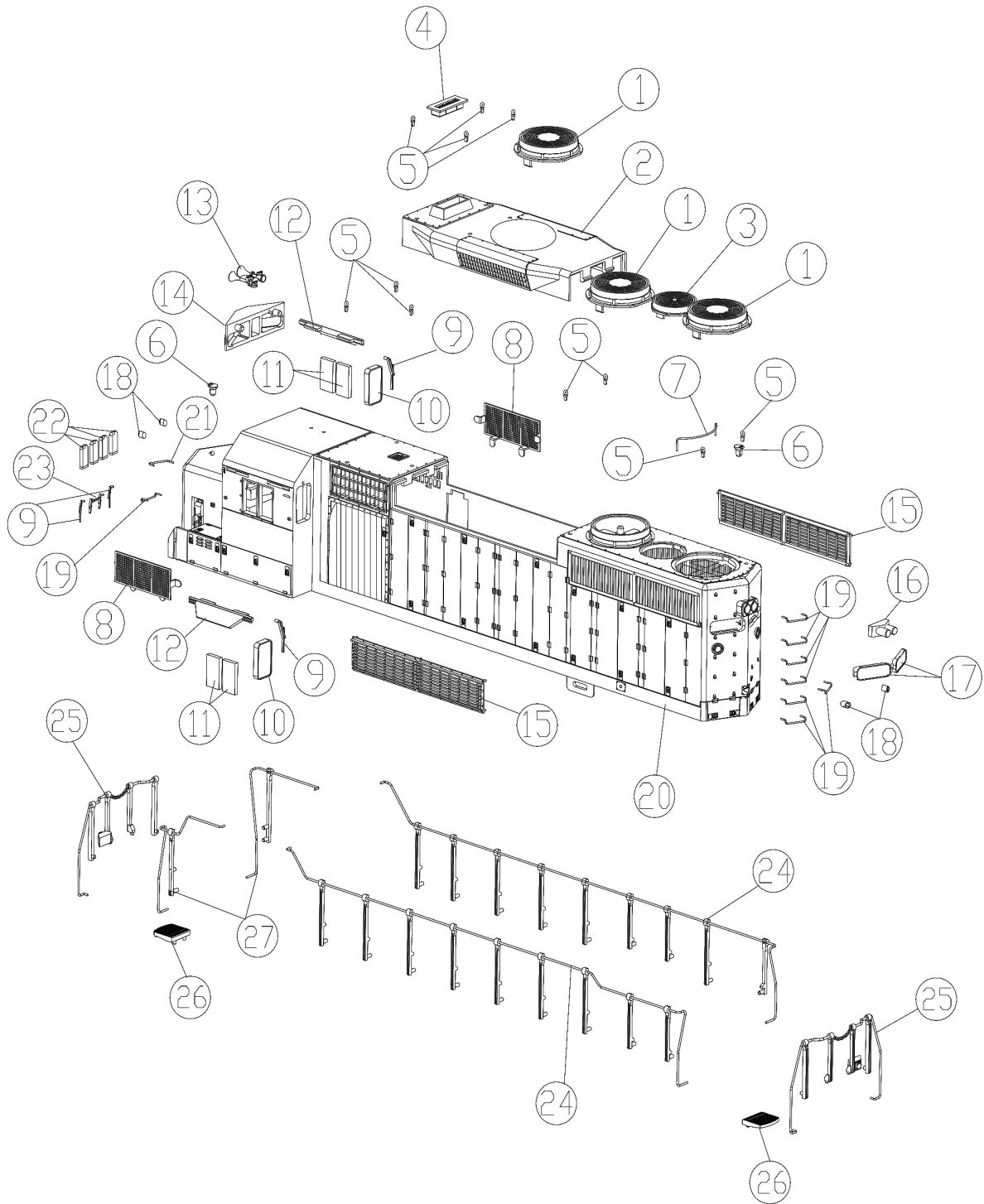
REV. 07.2015

PARTS LIST: GP-35 DIESEL ENGINE BODY



1.) BIG FAN COVER	IH-2104001001
2.) DYNAMIC BRACKET	IH-2104002001
3.) SMALL FAN COVER	IH-2104003001
4.) STACK COVER	IH-2104004001
5.) LIFT RING	FC-2104005001
6.) BOX	FC-2104006001
7.) PIPE	FI-2104007001
8.) SIDE VENT COVER-F	CI-2104008001
9.) WIPER	FA-2104009001
10.) REAR DOOR GLASS	FA-2104010001
11.) CAB SIDE WINDOWS	FA-2104011001
12.) CAB SIDE WINDOWS GLASS-L/R	CI-2104012001
13.) HORN(FOR PRR,NYC,GN)	BF-2104013001
14.) N/B BASE-A	IH-2104014001
15.) SIDE VENT COVER-R	CI-2104015001
16.) M/L HOUSING(A)	FA-2104016001
17.) N/B BASE-B	IH-2104017001
18.) M/L HOUSING(B)	FA-2104018001
19.) HAND RALL POST(A)	FC-2104019001
20.) BODY,GUILFORD RAIL (20-20200-1-2-3)	FC-2104021001
BODY,WISCONSIN CENTRAL (20-20201-1-2-3)	FC-2104021002
BODY,CP RAIL(20-20014-1-2-3)	FC-2104021003
BODY,SANTA FE (20-20015-1-2-3)	FC-2104021004
BODY,WESTERN MARYLAND (20-20016-1-2-3)	FC-2104021005
BODY,SOUTHERN (20-20017-1-2-3)	FC-2104021006
BODY,WHEELING & LAKE ERIE (20-20018-1-2-3)	FC-2104021007
BODY,ATLANTIC COAST LINE (20-20129-1-2-3)	FC-2104021008
BODY,READING (20-20130-1-2-3)	FC-2104021009
BODY,UNION PACIFIC (20-20131-1-2-3)	FC-2104021010
BODY,NORFOLK SOUTHERN (20-20132-1-2-3)	FC-2104021011
BODY,BALTIMORE & OHIO (20-20197-1-2-3)	FC-2104021012
BODY,DENVER RIO GRANDE (20-20198-1-2-3)	FC-2104021013
BODY,DETROIT TOLEDO & IRONTON (20-20199-1-2-3)	FC-2104021014
21.) HAND RALL POST(B)	FC-2104021001
22.) FRONT WINDOW GLASS	FA-2104022001
23.) DOUBLE WIPER	FA-2104023001
24.) HANDRAIL(SIDE)	FC-2104024001
25.) HANDRAIL(F/B)	FC-2104025001
26.) RUNNING BOARD	IH-2104026001

EXPLODED VIEW: GP-35 DIESEL ENGINE BODY

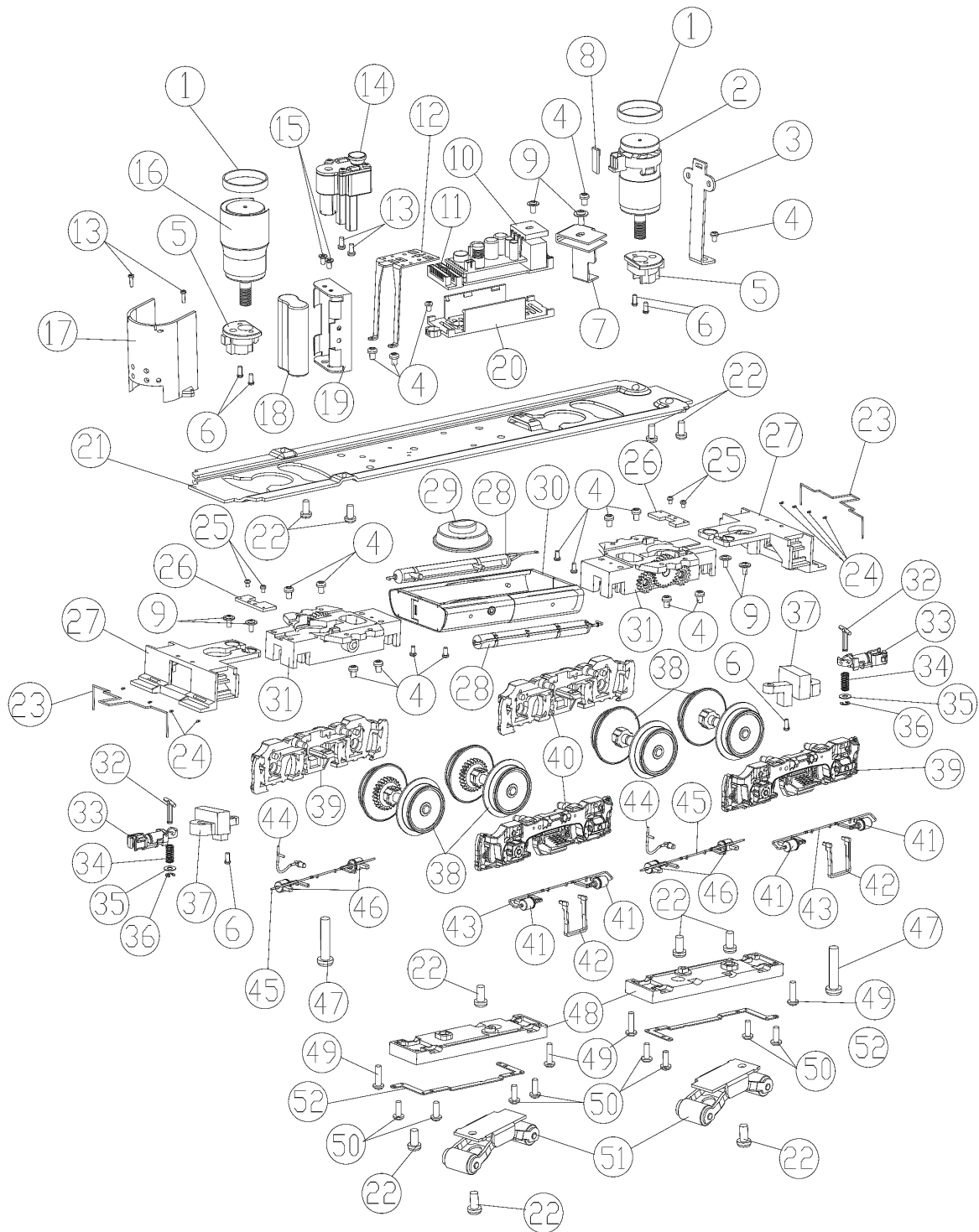


PARTS LIST: GP-35 DIESEL ENGINE CHASSIS



1.) RUBBER BAND	BI-4500004
2.) MOTOR(RS-385PH-2655)	BE-2104027001
3.) LAMP BRACKET	IH-2104028001
4.) SCREW(M3.0X3.0MM,BLACK)	
5.) MOTOR BASE	BI-2104029001
6.) SCREW(M2.6X6.0X4.5MM,BLACK)	
7.) HEAT SINK	IH-2104030001
8.) REDING MATTER PCB	AG-0000102
9.) SCREW(M3.0X3.5MM,F,BLACK)	
10.) BOARDS(PROTO-SOUND 2.0, 4V POWER, TOP)	AE-1000034
11.) BOARDS(PROTO-SOUND 2.0, 3V POWER, BOTTOM)	AE-1000035
12.) SWITCH BRACKET	IH-2104031001
13.) SCREW(M3.0X6.0MM,BLACK)	
14.) SOMKE UNIT	AA-2104032001
15.) SCREW(M3.0X6.0MM,F,BLACK)	
16.) MOTOR(RS-385PH-2655)	BE-2104033001
17.) MOTOR INSULATION BRACKET	BI-2104034001
18.) BATTERY(3V PS2.0 2.4V 700MAH)	
19.) 3V BATTERY BRACKET	IH-2104035001
20.) CSC BRACKET 3V	IH-2104036001
21.) FLOOR	FC-2104037001
22.) SCREW(D3.0X6.0MM,BLACK)	
23.) LONG HAND RALL POST	FC-2104038001
24.) LIFT RING	FC-2104039001
25.) SCREW(D2.6X3.0MM,BLACK)	
26.) WIRE FIX BAND	BI-2104040001
27.) PILOT	DG-2104041001
28.) PUMP PIPE(A)	FC-2104042001
29.) HORN(FOR ALASKA, GM&O)	BF-2104043001
30.) FUEL TANK	FC-2104044001
31.) GEER BOX SET	EG-2104045001
32.) T-BAR	IG-2104046001
33.) COUPLER	DD-2104047001
34.) SPRING	IE-2104048001
35.) WASHER	IB-2104049001
36.) E-RING	ID-2104050001
37.) COUPLER BASE	IH-2104051001
38.) WHEEL SET (SCALE)	DD-2104052001
WHEEL SET (HIRAIL, LARGE FLANGE)	DD-2104052002
39.) TRUCK SIDE FRAME-R	DB-2104053001
40.) TRUCK SIDE FRAME-L	DB-2104054001
41.) SPEEDOMETER(A)	BE-2104055001
42.) PLUNGER(C)	DF-2104058001
43.) PLUNGER(A)	DF-2104056001
44.) SPEEDOMETER(C)	BE-2104060001
45.) PLUNGER(B)	DF-2104057001
46.) SPEEDOMETER(B)	BE-2104059001
47.) SCREW(M3.0X14.0X5.2MM,BLACK)	
48.) GEAR BOX COVER	EG-2104061001
49.) SCREW(M2.0X10.0MM,BLACK)	
50.) SCREW(M3.0X5.0MM,BLACK)	
51.) PICK UP	BD-2104062001
52.) PICK UP PLATE	BD-2104063001

EXPLODED VIEW: GP-35 DIESEL ENGINE CHASSIS



PARTS LIST: SMOKE UNIT PROTO-SOUND 2.0



- | | |
|---|----------------------------|
| 1.) SCREW(4/40X6. OMM) | IA-0000003 |
| 2.)GASKET (BURNT ORANGE)
(FOR STANDARD SMOKE UNIT)
(25. 0X37. 05MM THICK) | IB-0000006 |
| 3). SCREW (M1.4X3. OMM) | IA-0000120 |
| 4.) FAN IMPELLER(BLACK) | AI-0000019 |
| 5.) HEATING ELEMENTS
(FOR SMOKE UNIT) | AI-0000018 |
| 6.) WICK(WHITE)
(FOR SMOKE UNIT)(4" LONG)
(SOLD AS A PAIR)
(REQUIRES 2 WICKS PER SMOKE UNIT) | AA-0000001 |
| 7.) SMOKE(FOR SMOKE UNIT)
(WIRE HARNESS NOT INCLUDED) | BE-0000041 |

PARTS LIST: SMOKE UNIT PROTO-SOUND 2.0

