



# 8,000 Gallon Tank Car

20-9600  
20-9601  
20-96002  
20-96003  
20-96004  
20-96005  
20-96015  
20-96018  
20-96022



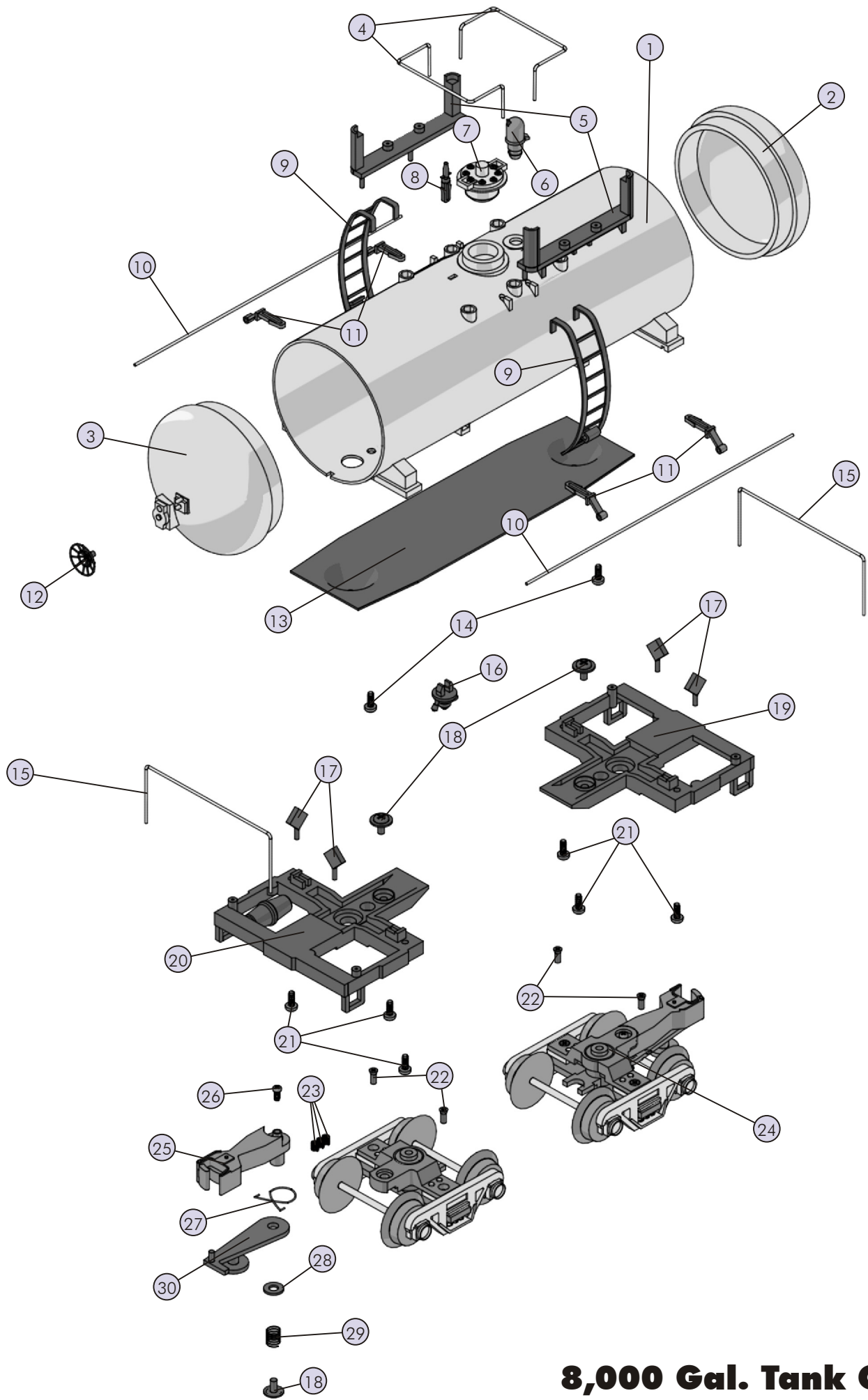
# 8,000 Gal. Tank Car

## Car Parts

Name and Number	Part #	\$Price Per Unit	Name and Number	Part #	\$Price Per Unit
1.) Shell ( black ) ( NS )( # 67845 )	HE-4100001	*15.00	4.) Handrail ( stainless steel ) ( for top platform )	HE-4100109	1.00
1.) Shell ( blue ) ( Conrail )( #CR2315 )	HE-4100002	*15.00	5.) Platform ( black ) ( w/ stanchions )( plastic )	HE-4100026	3.00
1.) Shell ( yellow, blue, white ) ( Vulcan )( # VMCX 1203 )	HE-4100003	*15.00	6.) Vent ( large )( black )	HE-4100027	1.00
1.) Shell ( gray ) ( CSX )( # 63826 )	HE-4100004	*15.00	7.) Hatch ( black )	HE-4100028	2.00
1.) Shell ( white ) ( National )( # UTLX 76910 )	HE-4100005	*15.00	8.) Vent ( small )( black )	HE-4100029	1.00
1.) Shell ( gray & green ) ( Ethyl )( # EBAX 6039 )	HE-4100006	*15.00	9.) Ladder ( black ) ( metal )( 57.6mm long )	HE-4100030	3.00
1.) Shell ( white & black ) ( Geigy )( #GATX 88383 )	HE-4100007	*15.00	10.) Handrail ( nickel ) ( 136.0mm long )	HE-4100031	1.00
1.) Shell ( orange & black ) ( Klasen Oil Company )( # CB 16142 )	HE-4100008	*15.00	10.) Handrail ( stainless steel ) ( 136.0mm long )	HE-4100110	1.00
1.) Shell ( silver ) ( ATSF )( #96237 )	HE-4100101	*15.00	11.) Stanchion ( black ) ( 22.3mm long )	HE-4100032	1.00
1.) Shell ( silver ) ( ATSF )( #96242 )	HE-4100106	*15.00	12.) Brake wheel ( black )	HE-4100033	1.00
2.) End cap ( black ) ( NS )( # 67845 )( w/ out brake wheel mount )	HE-4100009	5.00	13.) Weight ( black ) ( 39.0x138.0mm long )( stamped metal )	HE-4100034	4.00
2.) End cap ( blue ) ( Conrail )( #CR2315 )( w/ out brake wheel mount )	HE-4100010	5.00	14.) Screw ( M2.5x8.0mm )( roundhead )	IA-0000184	0.15
2.) End cap ( blue & yellow ) ( Vulcan )( # VMCX 1203 )( w/ out brake wheel mount )	HE-4100011	5.00	15.) Handrail ( nickel ) ( end platform handrail )	HE-4100035	1.00
2.) End cap ( gray ) ( CSX )( # 63826 )( w/ out brake wheel mount )	HE-4100012	5.00	15.) Handrail ( stainless steel ) ( end platform handrail )	HE-4100111	1.00
2.) End cap ( white ) ( National )( # UTLX 76910 )( w/ out brake wheel mount )	HE-4100013	5.00	16.) Retaining valve ( black ) ( bottom of tank car )( plastic )	HE-4100036	2.00
2.) End cap ( gray ) ( Ethyl )( # EBAX 6039 )( w/ out brake wheel mount )	HE-4100014	5.00	17.) Placard ( black )( plain )	HE-4100037	1.00
2.) End cap ( white ) ( Geigy )( #GATX 88383 )( w/ out brake wheel mount )	HE-4100015	5.00	17.) Placard ( black and red ) ( red flammable sign stamped on one side )	HE-4100038	1.00
2.) End cap ( black ) ( Klasen Oil Company )( # CB 16142 ) ( w/ out brake wheel mount )	HE-4100016	5.00	18.) Screw ( M3x5.0mm )( w/ 8.0mm washer head )	IA-0000268	0.15
2.) End cap ( silver ) ( ATSF )( #96237 )( w/ out brake wheel mount )	HE-4100102	5.00	19.) Platform ( black ) ( w/ out compressor )( plastic )	HE-4100039	6.00
2.) End cap ( silver ) ( ATSF )( #96242 )( w/ out brake wheel mount )	HE-4100107	5.00	19.) Platform ( silver ) ( w/ out compressor )( plastic )	HE-4100104	6.00
3.) End cap ( black ) ( NS )( # 67845 )( w/ brake wheel mount )	HE-4100017	5.00	20.) Platform ( black ) ( w/ compressor )( plastic )	HE-4100040	6.00
3.) End cap ( blue ) ( Conrail )( #CR2315 )( w/ brake wheel mount )	HE-4100018	5.00	20.) Platform ( silver ) ( w/ compressor )( plastic )	HE-4100105	6.00
3.) End cap ( blue & yellow ) ( Vulcan )( # VMCX 1203 )( w/ brake wheel mount )	HE-4100019	5.00	21.) Screw ( M2.6x8.0mm )( roundhead )( plastic cutting threads )	IA-0000272	0.15
3.) End cap ( gray ) ( CSX )( # 63826 )( w/ brake wheel mount )	HE-4100020	5.00	22.) Screw ( M2.5x6.0mm )( flathead )	IA-0000178	0.15
3.) End cap ( white ) ( National )( # UTLX 76910 )( w/ brake wheel mount )	HE-4100021	5.00	23.) Spring ( nickel ) ( truck side springs )( 2.5x5.0x0.2mm )	IE-0000033	0.25
3.) End cap ( gray ) ( Ethyl )( # EBAX 6039 )( w/ brake wheel mount )	HE-4100022	5.00	24.) Truck ( black ) ( 2 axle )( black truck sides )( w/ truck side springs )	DA-0100006	6.00
3.) End cap ( white ) ( Geigy )( #GATX 88383 )( w/ brake wheel mount )	HE-4100023	5.00	24.) Truck ( black ) ( 2 axle )( silver truck sides )( w/ truck side springs )	DA-0100007	6.00
3.) End cap ( black ) ( Klasen Oil Company )( # CB 16142 ) ( w/ brake wheel mount )	HE-4100024	5.00	25.) Coupler ( 41.5mm long )( mechanical )	DD-0000015	3.00
3.) End cap ( silver ) ( ATSF )( # 96237 )( w/ brake wheel mount )	HE-4100103	5.00	26.) Screw ( M2x4.0mm )( washer head )	IA-0000080	0.15
3.) End cap ( silver ) ( ATSF )( # 96242 )( w/ brake wheel mount )	HE-4100108	5.00	27.) Spring ( centering )	IE-0000036	0.50
4.) Handrail ( nickel )	HE-4100025	1.00	28.) Insulator washer ( clear ) ( 5.0x10.0x0.3mm )	ID-0000065	0.15
			29.) Spring ( 6.0x8.0mm )( w/ 0.4mm thick wire )	IE-0000035	0.50
			30.) Armature ( 36.3mm long )( w/ new armature pin )	DD-0000014	1.00

\*Requires Exchange  
All parts are priced as each





# 8,000 Gal. Tank Car

