



Big Boy

4-8-8-4

20-3021-1
20-80001a



GL062001

Big Boy Steam Engine

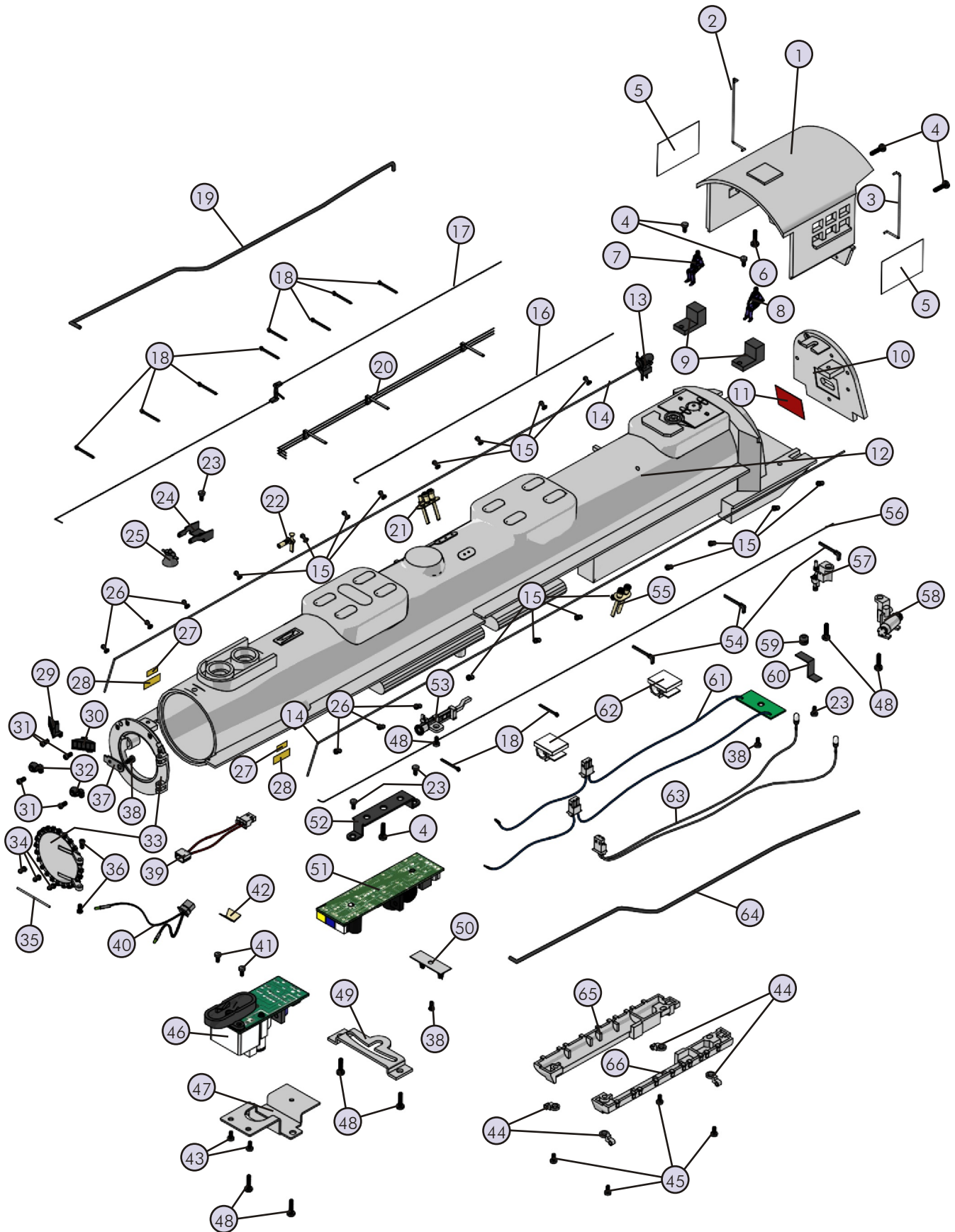
Boiler Parts

Name and Number	Part #	\$Price Per Unit	Name and Number	Part #	\$Price Per Unit
1.) Cab (black) (Union Pacific)(# 4012)	FB-1100157	*30.00	36.) Screw (nickel) (M2x6.0mm)(Fillister head)	IA-0000323	0.15
Cab (black) (Union Pacific)(# 4018)	FB-1100158	*30.00	37.) Bracket (nickel)	IH-0000213	1.00
2.) Handrail (black) (cab)(right)(45.2mm long)	FB-1110019	2.00	38.) Screw (4/40x4.0mm)(roundhead)	IA-0000021	0.15
3.) Handrail (black) (cab)(left)(45.2mm long)	FB-1120019	2.00	39.) Wire harness (130.0mm long wires) (1 yellow 2 pin male plug & 1 white 2 pin female plug) (Union Pacific)(# 4018)	BC-0000096	2.00
4.) Screw (6/32x6.0mm)(roundhead)	IA-0000027	0.15	40.) L.E.D.'s (red) (2)(6v)(65.0mm long wires w/ 2 pin male plug) (Union Pacific)(# 4012)	CC-0000043	3.00
5.) Lens (clear)(29.5x40.7mm)	FA-0000087	1.00	L.E.D.'s (green) (2)(6v)(160.0mm long wires w/ 2 pin male plug) (Union Pacific)(# 4018)	CC-0000044	4.00
6.) Screw (6/32x6.0mm)(washer head)	IA-0000214	0.15	41.) Screw (4/40x8.0mm)(roundhead)	IA-0000011	0.15
7.) Engineer (old style) (Union Pacific)(# 4012)	FI-0000020	5.00	42.) Smoke deflector	AA-0000041	1.00
Engineer (white man)	FI-0000001	5.00	43.) Screw (4/40x8.0mm)(roundhead)	IA-0000011	0.15
8.) Fireman (white man)	FI-0000009	5.00	44.) Stanchion (black)	FB-1100179	2.00
9.) Stand (black) (engineer)(Union Pacific)(# 4012)	FI-0000037	1.00	45.) Screw (4/40x10.0mm)(roundhead)	IA-0000279	0.15
Stand (black) (engineer/fireman)	FI-0000038	1.00	46.) Smoke unit	AA-0000042	50.00
10.) Back head (black)	FB-1100159	*20.00	47.) Bracket (black) (for mounting smoke unit)	IH-0000214	4.00
11.) Lens (red w/ flames) (firebox glow)	FA-0000077	2.00	48.) Screw (6/32x8.0mm)(roundhead)	IA-0000050	0.15
12.) Boiler (black & graphite) (Union Pacific)(# 4012)	FB-1100160	*175.00	49.) Bracket (black) (front drive block to boiler)	IH-0000215	3.00
Boiler (black & graphite) (Union Pacific)(# 4018)	FB-1100161	*175.00	50.) Contact spring board (w/ springs)	BH-0000052	2.00
13.) Steam generator (black)	FB-1100162	6.00	51.) CV board (has yellow, black & white 2 pin female plugs)	AG-0000012	20.00
14.) Handrail (nickel)(boiler)	FB-1100163	4.00	52.) Bracket (black) (for mounting CV board)	IH-0000239	2.00
15.) Stanchion (black) (5.1mm long)	FB-1100164	2.00	53.) Reverser (black)	FB-1100180	12.00
16.) Reverse control rod (black)	FB-1100165	3.00	54.) Stanchion (black)	FB-1100181	2.00
17.) Throttle linkage (black, graphite)	FB-1100166	10.00	55.) Pop-off valves (brass)(2 valves)	FB-1100182	8.00
18.) Stanchion (black)	FB-1100167	2.00	56.) Pipe (black)(feed water pump)	FB-1100183	6.00
19.) Cold water pipe (black)	FB-1100168	5.00	57.) Feed water control valve (black)	FB-1100184	12.00
20.) Air discharge pipe (black)	FB-1100169	8.00	58.) Centrifugal pump (black)	FB-1100185	12.00
21.) Pop-off valves (brass)(3 valves)	FB-1100170	8.00	59.) Grommet (black) (4.5x5.0mm)(rubber)(Union Pacific)(# 4012)	IH-0000010	0.15
22.) Whistle (brass, graphite)	FB-1100171	8.00	60.) Wire strap (black) (metal)(small)(Union Pacific)(# 4012)	IH-0000012	1.00
23.) Screw (4/40x6.0mm)(roundhead)	IA-0000003	0.15	60.) Bracket (black) (firebox light)(Union Pacific)(# 4018)	IH-0000240	2.00
24.) Bracket (black)(for bell)	FB-1130015	3.00	61.) PC board (w/ wires)	AG-0000052	3.00
25.) Bell (brass, black)	FB-1100172	6.00	62.) Wire strap (gray)(plastic clip)	IH-0000241	1.00
26.) Stanchion (graphite) (6.3mm long)	FB-1100173	2.00	63.) Bulbs (red/clear)(grain of wheat) (6v)(310.0mm long wires)(fire box and cab light)	CG-0000040	3.00
27.) Builder's plate	FB-1100174	3.00	64.) Cold water feed pipe (black)	FB-1100186	6.00
28.) Owner/leaser plate	FB-1100175	3.00	65.) Ash pan (black)(right)	FB-1110022	14.00
29.) Number board housing (black) (right)(# X4012)(Union Pacific)(# 4012)	FB-1110020	8.00	66.) Ash pan (black)(left)	FB-1120022	14.00
Number board housing (black) (right)(# X4018)(Union Pacific)(# 4018)	FB-1110021	8.00			
30.) Number board housing (black) (left)(# X4012)(Union Pacific)(# 4012)	FB-1120020	8.00			
Number board housing (black) (left)(# X4018)(Union Pacific)(# 4018)	FB-1120021	8.00			
31.) Screw (M2x3.0mm)(fillister head)	IA-0000190	0.15			
32.) Marker light housing (black)	FB-1150011	6.00			
33.) Boiler front (graphite)(complete)	FB-1100176	*25.00			
34.) Stanchion (graphite) (4.8mm long)	FB-1100177	2.00			
35.) Handrail (graphite) (29.0mm long)	FB-1100178	2.00			

*Requires Exchange
All parts are priced as each



Big Boy Steam Engine Boiler Parts



Big Boy Steam Engine

Drive Block Parts (front)

Name and Number	Part #	\$Price Per Unit	Name and Number	Part #	\$Price Per Unit
1.) Screw (6/32x8.0mm)(roundhead)	IA-0000050	0.15	33.) Brake shoe assembly (black) (right middle)	FB-1110024	3.00
2.) Dry steam pipe (black)	FB-1100187	25.00	34.) Brake shoe assembly (black) (left middle)	FB-1120025	3.00
3.) Contact spring board (w/ wire harness)	BH-0000053	5.00	35.) Brake shoe assembly (black) (right rear)	FB-1110025	3.00
4.) Screw (M3x4.0mm)(roundhead)	IA-0000010	0.15	36.) Brake shoe assembly (black) (left rear)	FB-1120026	3.00
5.) Bulb (clear)(6v) (35.0mm long wires w/ black plug)(grain of wheat)	CA-0000009	2.00	37.) Insulator (black) (top)(square)(pick-up)	BD-0000026	2.00
6.) Handrail (nickel)(pilot)	FB-1100188	2.00	38.) Screw (nickel) (M3x6.0mm)(roundhead)	IA-0000015	0.15
7.) Light / # board housing (black) (# 4012)(Union Pacific)(# 4012)	FB-1100189	10.00	39.) Traction tire (black)(rubber)	DE-0000027	0.75
Light / # board housing (black) (# 4018)(Union Pacific)(# 4018)	FB-1100190	10.00	40.) Bearing (nickel)(4.0x9.0x4.0mm)	DC-0000001	5.00
8.) Screw (M2x4.0mm)(roundhead)	IA-0000058	0.15	41.) Gasket (black) (for gear box cover)(19.5x40.0x1.5mm)(fiber)	BI-0000055	2.00
9.) Lens (clear)(headlight)	FA-0000088	2.00	42.) Worm gear assembly (for front drive block)	EH-0000011	10.00
10.) Grommet (black) (4.5x5.0mm)(rubber)	IH-0000010	0.50	43.) Gear box cover (black)(w/ hook)	BI-0000056	3.00
11.) Pilot deck (black) (complete w/ handrail & radiators)	FB-1100191	18.00	44.) Screw (4/40x8.0mm)(roundhead)	IA-0000011	0.15
12.) Bracket (black)	IH-0000242	3.00	45.) Bracket (black) (right)(for dry steam pipe slip joint)	FB-1110026	8.00
13.) Name / number board (black w/ white letters)(Union Pacific)(# 4012)	FB-1100192	6.00	46.) Bracket (black) (left)(for dry steam pipe slip joint)	FB-1120027	8.00
Name / number board (black w/ white letters)(Union Pacific)(# 4018)	FB-1100193	6.00	47.) Bolt (black)(6/32x8.0mm) (4.0x3.0mm oversized shank)(1.5x6.0mm slotted head)	IA-0000326	1.00
14.) Screw (4/40x6.0mm)(roundhead)	IA-0000003	0.15	48.) Dry steam pipe slip joint (black)	FB-1100196	8.00
15.) Pilot (black)(complete)	FB-1100194	30.00	49.) Spring (nickel) (7.0x11.0mm)(w/ 0.5mm thick wire)	IE-0000012	0.50
16.) Coupler (black)(scale)	DD-0000005	6.00	50.) Washer (black) (13.0x2.0mm)(w/ slot)	ID-0000046	0.15
17.) Bolt (black) (4/40x11.0mm)(1.5x5.0mm slotted head) (1.7x6.0mm pin)	IA-0000324	1.00	51.) Screw (M2.5x5.0mm)(roundhead)	IA-0000044	0.15
18.) Coupler (black) (non-operating)	DD-0000006	6.00	52.) Drive rod guide (nickel) (right)(47.4mm long)	EA-1110007	4.00
19.) Pin (black) (4.7x14.4mm)(w/ 1 e-clip groove)	IG-0000041	0.50	53.) Drive rod guide (nickel) (left)(47.4mm long)	EA-1120008	4.00
20.) E-clip (black)(3.0x8.0x0.5mm)	IF-0000002	0.15	54.) Bolt (black)(6/32x11.0mm) (4.0x5.0mm oversized shank)(1.5x6.0mm slotted head)	IA-0000241	1.00
21.) Spring (nickel) (6.5x14.0mm)(w/ 0.5mm thick wire)	IE-0000022	0.50	55.) Dry steam pipe extension (black) (82.0mm long)	FB-1100197	15.00
22.) Bracket (black) (lead truck)(58.0mm long)	IH-0000243	1.00	56.) Valve rod guide (black)	FB-1100198	12.00
23.) Bolt (black) (4/40x7.0mm)(1.5x6.0mm slotted head) (1.0x3.7mm oversized shank)	IA-0000325	1.00	57.) Bolt (nickel) (M2.5x13.5mm)(hex head)	IA-0000065	1.00
24.) Screw (M3x6.0mm)(7.5mm washer head)	IA-0000269	0.15	58.) Screw (M2x9.0mm)(roundhead)(w/ 2.0x5.5mm shank)	IA-0000280	0.15
25.) Spacer (black) (3.5x15.0x2.5mm)(metal)(cupped)	ID-0000014	0.50	59.) Motion hanger (black)(front)	EA-1100006	18.00
26.) Truck (black)(lead)(2 axle)(boiler)	DA-1130002	25.00	60.) Bracket (black) (supports motion hanger)	IH-0000244	2.00
27.) Brake assembly (black) (lead truck)(2 axle)(boiler)	FB-1100016	6.00	61.) Eccentric assembly (nickel) (right)(44.2mm long rod)	ED-1110010	5.00
28.) Compressor (black)	FB-1100195	12.00	62.) Eccentric assembly (nickel) (left)(44.2mm long rod)	ED-1120011	5.00
29.) Screw (6/32x6.0mm)(roundhead)	IA-0000027	0.15	63.) Drive rod (nickel) (right)(complete)	EC-1110007	10.00
30.) Steam chest (black) (for front drive block)	EF-1130005	25.00	64.) Drive rod (nickel) (left)(complete)	EC-1120007	10.00
31.) Brake shoe assembly (black) (right front 2)	FB-1110023	3.00	65.) Bolt (M2.5x7.5mm)(hex head)	IA-0000106	1.00
32.) Brake shoe assembly (black) (left front 2)	FB-1120024	3.00			

*Requires Exchange
All parts are priced as each



Big Boy Steam Engine

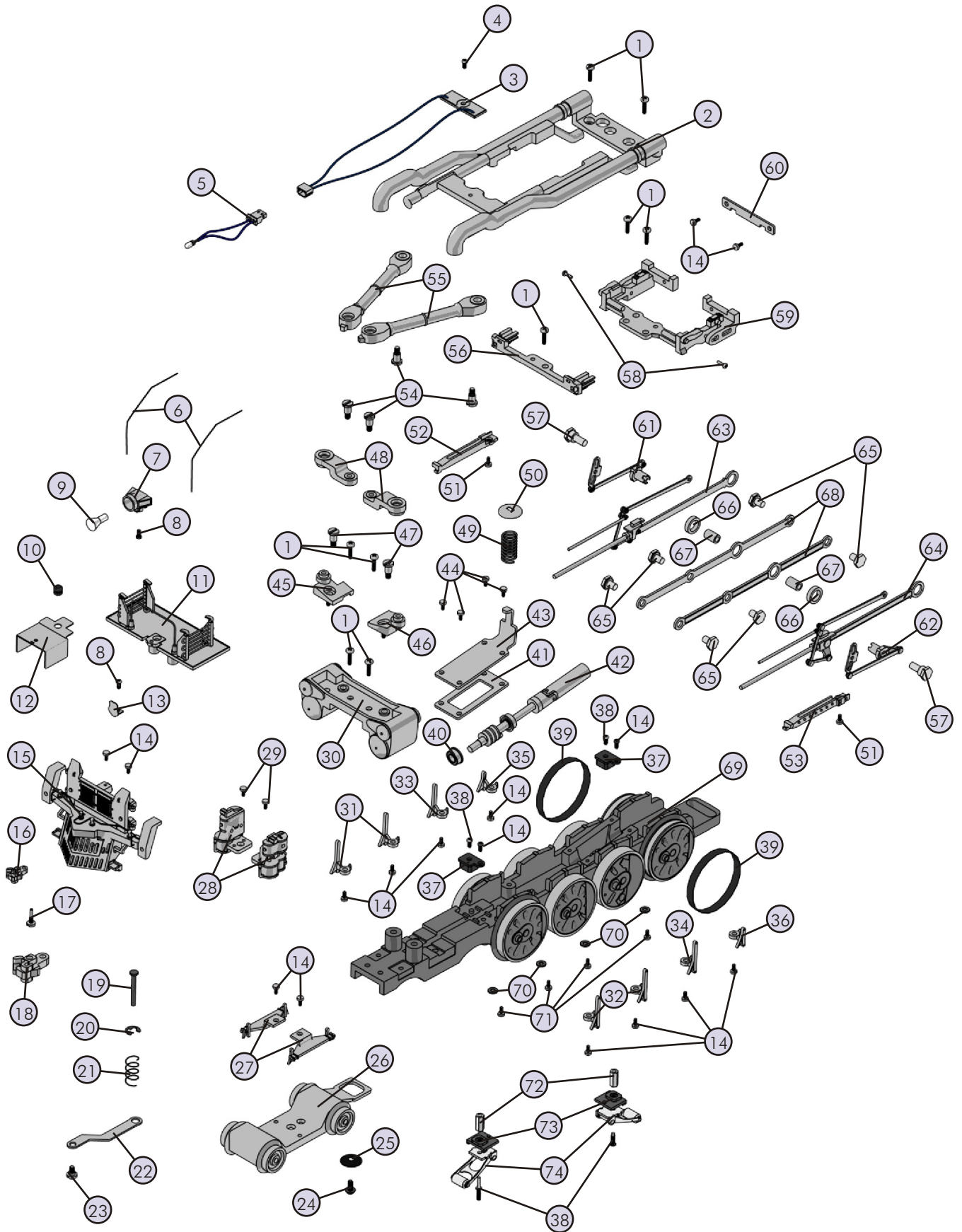
Drive Block Parts (front)

Name and Number	Part #	\$Price Per Unit
66.) Sleeve (nickel) (6.7x10.0x2.5mm)(outer)	ID-0000044	1.00
67.) Sleeve (nickel) (5.6x6.4x6.3mm)(inner)	ID-0000045	1.00
68.) Side rod (nickel) (124.5mm long)(4 bolt holes)	EC-1150005	4.00
69.) Drive block (black) (front)(4 axle)	DF-1100008	*75.00
70.) Washer (black) (3.0x6.0x0.4mm)(fiber)	ID-0000040	0.15
71.) Screw (4/40x4.0mm)(roundhead)	IA-0000021	0.15
72.) Nut (nickel) (2.5x5.0x10.0mm)	IC-0000005	0.50
73.) Insulator (black) (pick-up)(bottom)(flat)(square)	BD-0000024	2.00
74.) Pick-up (8.0x11.0mm roller)(28.0mm long)	BD-0000038	5.00

*Requires Exchange
All parts are priced as each



Big Boy Steam Engine Drive Block Parts (front)



Big Boy Steam Engine

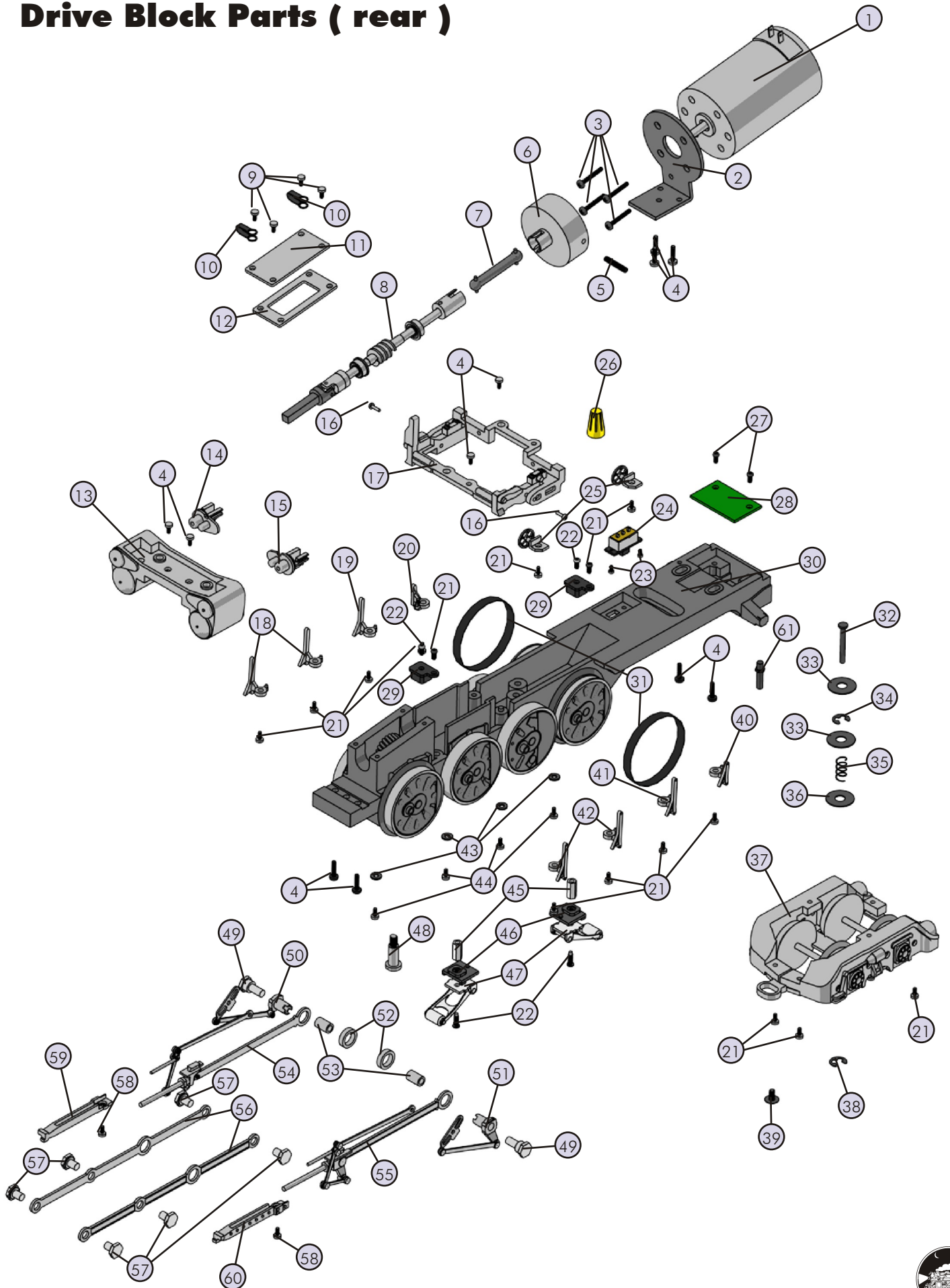
Drive Block Parts (rear)

Name and Number	Part #	\$Price Per Unit	Name and Number	Part #	\$Price Per Unit
1.) Motor (Pittman, 9434J434)	BE-0000030	50.00	36.) Washer (black) (5.0x15.0x0.5mm)	ID-0000013	0.15
2.) Motor mount (black) (for Pittman motors)	BI-0000057	10.00	37.) Truck (black) (boiler)(2 axle)(rear)	DA-1140010	25.00
3.) Screw (8/32x7.0mm)(roundhead)	IA-0000063	0.15	38.) E-clip (black) (3.5x9.0x0.6mm)	IF-0000009	0.15
4.) Screw (6/32x8.0mm)(roundhead)	IA-0000050	0.15	39.) Screw (4/40x6.0mm)(washer head)	IA-0000028	0.15
5.) Set screw (black) (M3x14.0mm)(no screw head)	IA-0000149	0.15	40.) Brake shoe assembly (black) (left rear)	FB-1120026	3.00
6.) Flywheel (brass) (for Pittman motors)(13.0x32.0mm)	BE-0000031	5.00	41.) Brake shoe assembly (black) (left middle)	FB-1120025	3.00
7.) Drive shaft (black) (plastic)(34.7mm long)	EH-0000004	3.00	42.) Brake shoe assembly (black) (left front 2)	FB-1120024	3.00
8.) Worm gear assembly (rear) (118.0mm long)	EH-0000012	10.00	43.) Washer (black) (3.0x6.0x0.4mm)(fiber)	ID-0000040	0.15
9.) Screw (4/40x8.0mm)(roundhead)	IA-0000011	0.15	44.) Screw (4/40x4.0mm)(roundhead)	IA-0000021	0.15
10.) Wire strap (black) (metal)(small)	IH-0000012	1.00	45.) Nut (nickel) (2.5x5.0x10.0mm)	IC-0000005	0.50
11.) Gear box cover (black) (19.4x40.8x1.0mm)(metal)	BI-0000058	2.00	46.) Insulator (black) (pick-up)(bottom)(flat)(square)	BD-0000024	2.00
12.) Gasket (black) (for gear box cover)(19.5x40.0x1.5mm)(fiber)	BI-0000059	2.00	47.) Pick-up (8.0x11.0mm roller)(28.0mm long)	BD-0000038	5.00
13.) Steam chest (black) (for rear drive block)	EF-1140001	25.00	48.) Bolt (black) (8/32x19.0mm)(w/ 5.0x11.0mm oversized shank) (2.0x8.0mm slotted head)	IA-0000066	1.00
14.) Valve rod guide (black)(right)	FB-1110027	6.00	49.) Bolt (nickel) (M2.5x13.5mm)(hex head)	IA-0000065	1.00
15.) Valve rod guide (black)(left)	FB-1120028	6.00	50.) Eccentric assembly (nickel) (right)(44.2mm long rod)	ED-1110010	5.00
16.) Screw (M2x9.0mm)(roundhead)(w/ 2.0x5.5mm shank)	IA-0000280	0.15	51.) Eccentric assembly (nickel) (left)(44.2mm long rod)	ED-1120011	5.00
17.) Motion hanger (black)(rear)	EA-1100007	20.00	52.) Sleeve (nickel) (6.7x10.0x2.5mm)(outer)	ID-0000044	1.00
18.) Brake shoe assembly (black) (right front 2)	FB-1110023	3.00	53.) Sleeve (nickel) (5.6x6.4x6.3mm)(inner)	ID-0000045	1.00
19.) Brake shoe assembly (black) (right middle)	FB-1110024	3.00	54.) Drive rod (nickel) (right rear)(complete)	EC-1110008	10.00
20.) Brake shoe assembly (black) (right rear)	FB-1110025	3.00	55.) Drive rod (nickel) (left rear)(complete)	EC-1120008	10.00
21.) Screw (4/40x6.0mm)(roundhead)	IA-0000003	0.15	56.) Side rod (nickel) (124.5mm long)(4 bolt holes)	EC-1150005	4.00
22.) Screw (nickel) (M3x6.0mm)(roundhead)	IA-0000015	0.15	57.) Bolt (M2.5x7.5mm)(hex head)	IA-0000106	1.00
23.) Screw (M2x4.0mm)(roundhead)	IA-0000058	0.15	58.) Screw (M2.5x5.0mm)(roundhead)	IA-0000044	0.15
24.) Switch (small)	BB-0000009	5.00	59.) Drive rod guide (nickel) (right)(47.4mm long)	EA-1110007	4.00
25.) Ash pan hand wheel (black)	FB-1100199	10.00	60.) Drive rod guide (nickel) (left)(47.4mm long)	EA-1120008	4.00
26.) Wire nut (yellow)	BI-4500003	0.25	61.) Draw bar pin (black) (M4x20.0mm)	IG-0000042	2.00
27.) Screw (6/32x6.0mm)(roundhead)	IA-0000027	0.15			
28.) PC board (green) (4 pin female plug)	BB-1040005	8.00			
29.) Insulator (black) (top)(square)(pick-up)	BD-0000026	2.00			
30.) Drive block (black)(rear)(4 axle)	DF-1100009	*75.00			
31.) Traction tire (black)(rubber)	DE-0000027	0.75			
32.) Pin (black) (5.0x21.0mm)(w/ 2 e-clip grooves)	IG-0000011	0.50			
33.) Washer (black) (5.0x12.0x0.8mm)(metal)	ID-0000012	0.15			
34.) E-clip (black) (3.5x9.0x0.6mm)	IF-0000009	0.15			
35.) Spring (nickel) (6.0x13.0mm)(w/ 0.5mm thick wire)	IE-0000067	0.50			

*Requires Exchange
All parts are priced as each



Big Boy Steam Engine Drive Block Parts (rear)



Big Boy Steam Engine

Tender Parts

Name and Number	Part #	\$Price Per Unit	Name and Number	Part #	\$Price Per Unit
1.) Shell (black) (tender)(Union Pacific)(# 4012)	GA-1100042	*100.00	26.) Screw (M2.5x5.0mm)(roundhead)(UP)(# 4012)	IA-0000044	0.15
Shell (black) (tender)(Union Pacific)(# 4018)	GA-1100043	*100.00	Screw (4/40x4.0mm)(roundhead)(UP)(# 4018)	IA-0000021	0.15
2.) Screw (M2.5x5.0mm)(roundhead)	IA-0000044	0.15	27.) Insulator (clear) (13.0x19.0x0.1mm)(single hole)	ID-0000024	1.00
3.) Ladder (black) (tender)(rear)(both)	GA-1100044	5.00	28.) Insulator washer (white) (6.0x4.0x2.5mm)(plastic)	ID-0000033	0.15
4.) Handrail (black) (tender)(both)(108.0mm long)	GA-1100045	2.00	29.) Screw (4/40x6.0mm)(roundhead)	IA-0000003	0.15
5.) Stanchion (black)(4.8mm high)	GA-1100046	1.00	30.) T-bar (black) (4.0x20.0mm)(plastic)	IG-0000001	0.50
6.) Handrail (black)(tender)(both)	GA-1100047	2.00	31.) Proto-Coupler® (51.5mm long)	DD-0000001	10.00
7.) Marker light housing (black) (tender)(tapped for 4/40 screw)(UP)(# 4012)	GA-1100048	8.00	32.) Spacer (black) (4.5x7.0x6.0mm)(plastic)	ID-0000043	1.00
Marker light housing (black) (tender)(tapped for M2.5 screw)(UP)(# 4018)	GA-1100049	8.00	33.) Spring (nickel) (6.5x12.0mm)(0.6mm thick wire)	IE-0000024	0.50
8.) Lens (clear) (tender)(marker light)	FA-0000089	2.00	34.) Washer (black) (5.0x10.0x1.0mm)	ID-0000026	0.15
9.) Lock washer (3.5x6.3x0.9mm)(UP)(# 4012)	ID-0000101	0.15	35.) E-clip (black) (3.0x8.0x0.5mm)	IF-0000002	0.15
Washer (3.0x7.0x0.4mm)(UP)(# 4018)	ID-0000028	0.15	36.) Screw (6/32x8.0mm)(roundhead)	IA-0000050	0.15
10.) Screw (4/40x4.0mm)(roundhead)(UP)(# 4012)	IA-0000021	0.15	37.) Screw (4/40x30.0mm)(roundhead)	IA-0000191	0.15
Screw (M2.5x4.0mm)(roundhead)(UP)(# 4018)	IA-0000005	0.15	38.) Bracket (black) (battery)(vertical mount)(plastic)(UP)(# 4018)	IH-0000042	3.00
11.) Lens (clear) (tender)(back-up light)	FA-0000090	2.00	39.) Heat sink (Aluminum) (3.0x20.0x18.0mm)(UP)(# 4012)	AI-0000004	2.00
12.) Bracket (black) (for mounting back-up light)	IH-0000245	3.00	Heat sink (Aluminum) (3.0x20.0x10.0mm)(UP)(# 4018)	AI-4500010	2.00
13.) Grommet (black) (4.5x5.0mm)(rubber)	IH-0000010	0.50	40.) Screw (M3x8.0mm)(roundhead)(self-drilling)	IA-0000072	0.15
14.) Bulb (clear)(1.5v)(back-up light) (245.0mm long wires w/ green 2 pin male plug) (grain of wheat)(UP)(# 4012)	CF-0000018	2.00	41.) Nut (6.0x10.0x2.0mm)	IC-0000007	0.50
Bulb (clear)(1.5v)(back-up light) (210.0mm long wires w/ green 2 pin male plug) (grain of wheat)(UP)(# 4018)	CF-0000019	2.00	42.) Washer (black) (7.0x12.0x0.5mm)	ID-0000034	0.15
15.) L.E.D. (red)(6v) (220.0mm long wires w/ yellow 2 pin male plug)	CC-0000045	3.00	43.) Bracket (black) (volume pot)(plastic)(u-shaped)	IH-0000023	2.00
16.) Wire harness (90.0mm long wires)(UP)(# 4018) (w/ yellow 2 pin male & female plugs)	BC-0000097	2.00	44.) Volume pot (B10K SW)(w/ 190.0mm long wires)(UP)(# 4012)	BI-0000060	5.00
17.) Wire harness (110.0mm long wires)(UP)(# 4018) (w/ green 2 pin male & female plugs)	BC-0000098	2.00	Volume pot (B10K SW)(w/ 155.0mm long wires)(UP)(# 4018)	BI-0000035	5.00
18.) Battery leads (145.0mm long wires w/ white 2 pin male plug)	BC-4000009	3.00	45.) Speaker cone (49.0x40.0mm)(cardboard)	BF-0000004	2.00
19.) Battery (white) (8.4 volts)(re-chargable)(nickel-cadium)	BG-4000001	10.00	46.) Tender shell front (black) (Union Pacific)(# 4012)(# 4018)	GA-1100050	*20.00
20.) Clip (black) (Proto-Sound® board)(top)(plastic)	IF-0000006	1.00	47.) Ladder (black) (right)(Union Pacific)(# 4012)(# 4018)	GA-1100051	5.00
21.) Clip (black) (Proto-Sound® board)(bottom)(plastic)	IF-0000007	1.00	48.) Ladder (black) (left)(Union Pacific)(# 4012)(# 4018)	GA-1100052	5.00
22.) Proto-Sound Chip®	N/A	19.95	49.) Handrail (black) (56.0mm long)(Union Pacific)(# 4012)(# 4018)	GA-1100053	2.00
23.) Board (Proto-Sound®)(top)	AE-4500001	*100.00	50.) Screw (6/32x6.0mm)(roundhead)	IA-0000027	0.15
24.) Board (Proto-Sound®)(bottom)	AD-4500001	*60.00	51.) Bracket (black) (speaker)(9.0x9.5mm)	IH-0000044	1.00
25.) Bracket (brass) (Proto-Sound® board)(UP)(# 4012)	IH-0000246	2.00	52.) Speaker (Star, PR-05004-08)(8 ohms)(0.2 watt)	BF-4500008	8.95
Bracket (brass) (Proto-Sound® board)(UP)(# 4018)	IH-0000043	2.00			

*Requires Exchange
All parts are priced as each



Big Boy Steam Engine

Tender Parts

Name and Number	Part #	\$Price Per Unit
53.) Wire harness (black) (tender)(320.0mm long wires w/ extra wire & eyelet) (w/ 4 pin male plug)	BC-0000099	8.00
54.) Chassis (black)(tender) (w/ rear truck sides attached)(UP)(# 4012)	GB-1100007	*45.00
Chassis (black)(tender) (UP)(# 4018)	GB-1100008	*15.00
55.) Draw bar (black) (94.0mm long)(5.0mm hole for mounting) (2 4.2mm holes for coupling)(1 7.0mm step)	GA-1100054	3.00
56.) Spring (nickel) (7.5x13.0x11.0mm)(0.6mm thick wire)	IE-0000013	0.50
57.) Washer (black) (5.5x15.0x0.6mm)	ID-0000039	0.15
58.) Bolt (black)(UP)(# 4012) (M3x15.0mm)(1.9x8.0mm slotted head) (w/ 5.0x10.0mm oversized shank)	IA-0000231	1.00
Bolt (black)(UP)(# 4018) (M3x16.0mm)(2.0x15.0mm slotted head) (w/ 4.7x11.0mm oversized shank)	IA-0000327	1.00
59.) Bolt (black)(UP)(# 4018) (4/40x16.0mm)(2.0x8.0mm slotted head) (w/ 4.7x11.0mm oversized shank)	IA-0000328	1.00
60.) Truck (black)(UP)(# 4012) (2 axle)(lead)(tender)(stamped metal bolster) (w/ out bar)	DA-1130011	30.00
Truck (black)(UP)(# 4018) (2 axle)(lead)(tender)(stamped metal bolster)	DA-1130003	30.00
61.) Truck side (black) (right)(for 5 axle centipede truck)	DB-1110001	15.00
62.) Truck side (black) (left)(for 5 axle centipede truck)	DB-1120001	15.00
63.) Truck (black)(5 axle)	DA-1140003	15.00
64.) Screw (M3x6.0mm)(roundhead)	IA-0000016	0.15

*Requires Exchange
All parts are priced as each



Big Boy Steam Engine Tender Parts

