

**RAILKING**<sup>®</sup>  
By M.T.H. Electric Trains

# E-8 ABA

30-2141-1

30-2141-0

30-2140-1

30-2140-0



# E 8

## A Unit (lead) Parts

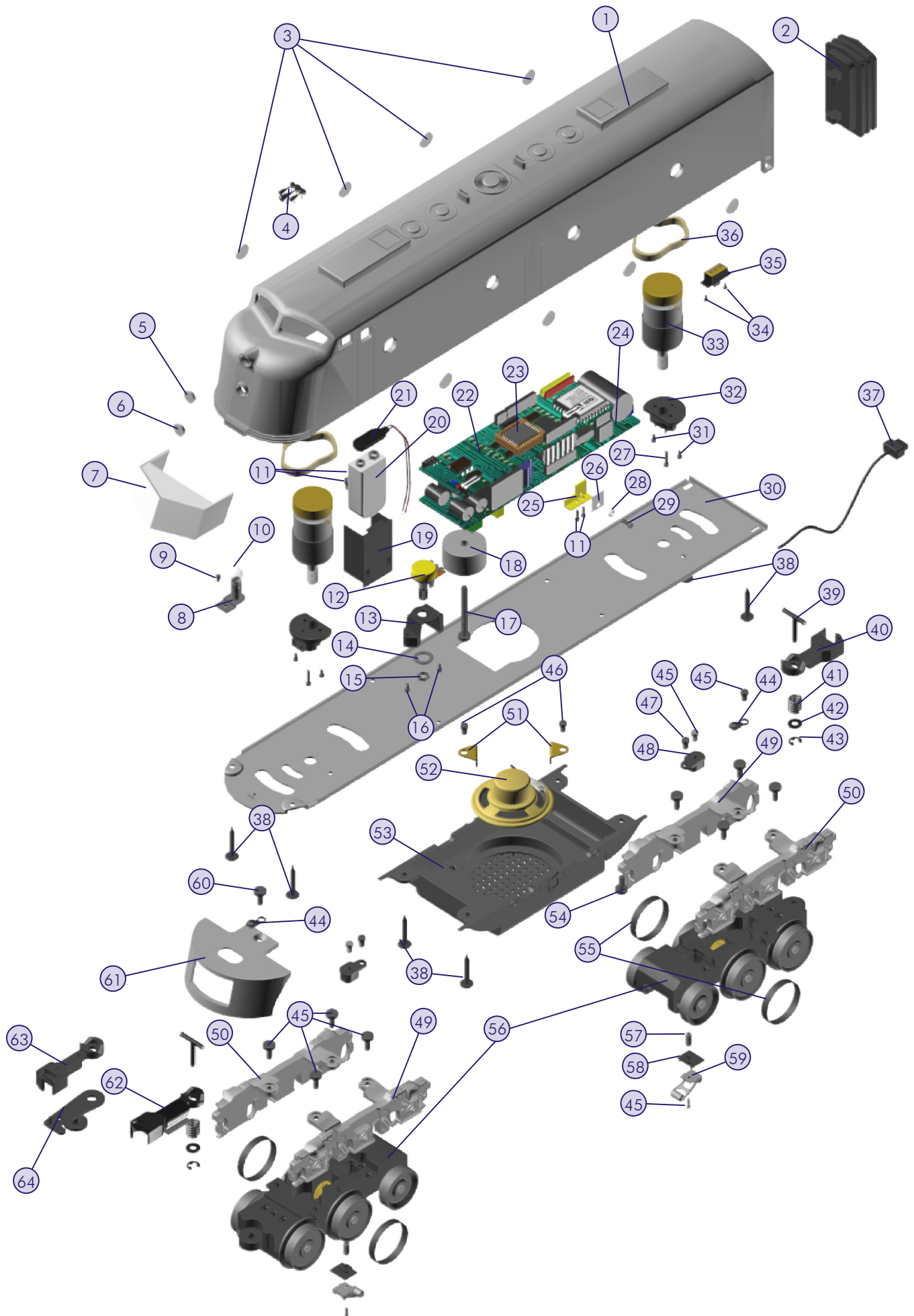
Name and Number	Part #	\$Price Per Unit
1.) SHELL ( NYC, # 4084 )	FC-2200057	*85.00
1.) SHELL ( NYC, # 4045 )	FC-2200058	*85.00
1.) SHELL ( S.P, # 6018 )	FC-2200059	*85.00
1.) SHELL ( S.P, # 6046 )	FC-2200060	*85.00
2.) Diaphragm	FI-0000017	2.00
3.) Portal lens	FA-2260001	2.00
4.) Air horns	FC-2200061	3.00
5.) Headlight lens	FA-2230009	2.00
6.) Mars light lens ( S.P. only )	FA-2230014	2.00
7.) Windows	FA-2230008	5.00
8.) Socket	CH-0000005	3.00
9.) Screw	IA-0000022	0.15
10.) Bulb	CG-0000002	.95
11.) Screw	IA-0000037	0.15
12.) Volume pot	BI-0000028	5.00
13.) Bracket ( volume pot )	IH-0000023	2.00
14.) Washer	ID-0000034	0.15
15.) Nut	IC-0000007	0.50
16.) Screw	IA-0000111	0.15
17.) Screw	IA-0000117	0.15
18.) Heat sink ( 3.0X20.0X10.0mm )	AI-0000017	2.00
19.) Bracket ( battery )( plastic )	IH-0000042	3.00
20.) Battery	BG-4000001	9.95
21.) Battery leads	BC-4000009	5.00
22.) Proto-sound board ( top )	AE-4500001	*100.00
23.) Proto-sound chip	N/A	*19.95
24.) Proto-sound board (bottom)	AD-4500001	*60.00
25.) Bracket (Proto-sound board)	IH-0000072	2.00
26.) Insulator	ID-0000024	0.15
27.) Screw	IA-0000012	0.15
28.) Insulator washer	ID-0000025	0.15
29.) Screw	IA-0000003	0.15
30.) Chassis ( powered A unit )	DH-2200019	*15.00
31.) Screw	IA-0000001	0.15
32.) Motor mount	BI-0000029	15.00
33.) Motor	BE-0000027	25.00
34.) Screw	IA-0000058	0.15
35.) Switch ( large )	BB-0000006	5.00
36.) Rubber band	BI-4500004	0.50
37.) Wire harness	BC-0000016	8.00
38.) Screw	IA-0000092	0.15
39.) T-bar	IG-0000001	0.50
40.) Coupler ( non-operating )	DD-4000005	3.00
41.) Spring	IE-0000022	0.50
42.) Washer	ID-0000026	0.15
43.) E-clip	IF-0000002	0.15
44.) Wire strap ( metal )	IH-0000012	1.00
45.) Screw	IA-0000016	0.15
46.) Screw	IA-0000114	0.15
47.) Screw	IA-0000003	0.15
48.) Insulator ( pick-up )( top )	BD-0000026	2.00
49.) Truck side ( black )( right rear/left front )	DB-2200005	9.00
50.) Truck side ( black )( left rear/right front )	DB-2200006	9.00
51.) Bracket ( speaker )	IH-0000036	1.00
52.) Speaker ( Star, PR-05004-08, 8W, 0.2W )	BF-4500008	8.95

Name and Number	Part #	\$Price Per Unit
53.) Fuel tank ( black )	FC-2200062	*15.00
54.) Screw	IA-0000114	0.15
55.) Traction tire	DE-0000018	0.75
56.) Truck ( powered )( 3 axle )	DA-2050009	*35.00
57.) Nut	IC-0000008	0.50
58.) Insulator (pick-up)(bottom)	BD-0000006	2.00
59.) Pick-up	BD-0000013	5.00
60.) Screw	IA-0000017	0.15
61.) Pilot ( black )	DG-2230008	15.00
62.) Proto-coupler	DD-0000004	10.00

### Horn Only Parts

11.) Screw ( DCRU bracket mounting screw )	IA-0000037	0.15
17.) Screw ( DCRU mounting screw )	IA-0000026	0.15
22.) Board ( horn )	AF-4500004	29.95
24.) Board ( DCRU )	AC-0000001	39.95
25.) Bracket ( DCRU )( U-shaped )( plastic )	IH-0000039	2.00
63.) Coupler	DD-0000003	3.00
64.) Coupler armature	DD-0000022	1.00

\*Requires Exchange

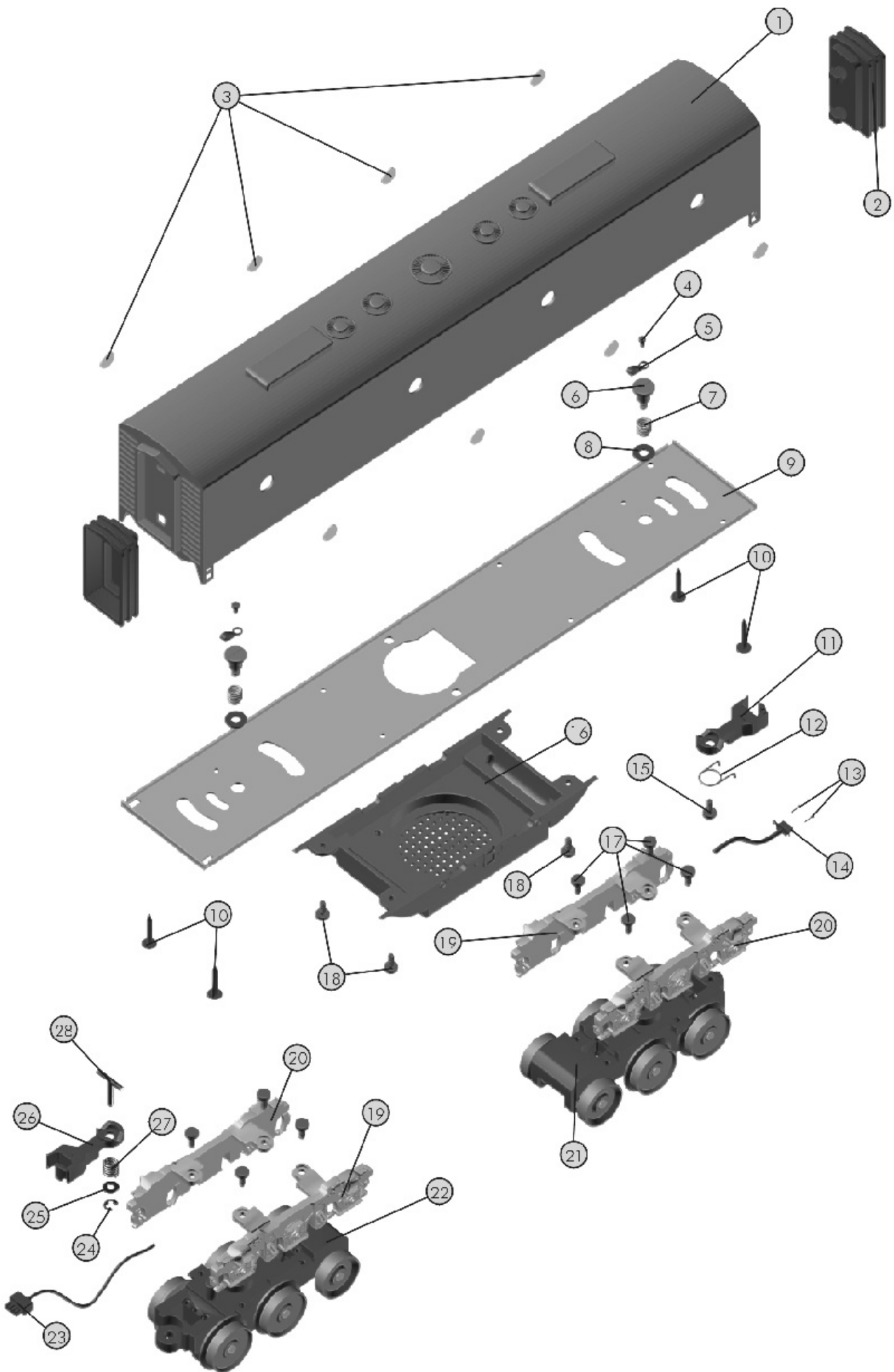


# E-8 B-unit

## Parts

Name and Number	Part #	\$Price Per Unit
1.) Shell ( NYC )( # 4109 )	FC-2200063	*85.00
1.) Shell ( S.P. )( # 6002-B )	FC-2200064	*85.00
2.) Diaphragm	FI-0000017	2.00
3.) Portal lens	FA-2260001	2.00
4.) Screw	IA-0000114	0.15
5.) Wire strap ( metal )	IH-0000012	1.00
6.) Bolt	IA-0000105	0.50
7.) Spring	IE-0000029	0.50
8.) Washer	ID-0000057	0.15
9.) Chassis ( non-powered B unit )	DH-2200021	*15.00
10.) Screw	IA-0000092	0.15
11.) Coupler ( non-operating )	DD-4000008	3.00
12.) Centering spring	IE-0000027	0.50
13.) Screw	IA-0000058	0.15
14.) Wire harness	BC-0000019	8.00
15.) Screw	IA-0000091	0.15
16.) Fuel tank ( black )	FC-2200062	*15.00
17.) Screw	IA-0000016	0.15
18.) Screw	IA-0000010	0.15
19.) Truck side ( black )( right rear/ left front )	DB-2200005	9.00
20.) Truck side ( black )( left rear/ right front )	DB-2200006	9.00
21.) Truck ( non-powered ) ( 3 axle )( for screw base coupler )	DA-2000004	*35.00
22.) Truck ( non-powered ) ( 3 axle )( for t-bar coupler )	DA-2000005	*35.00
23.) Wire harness	BC-0000020	8.00
24.) E-clip	IF-0000002	0.15
25.) Washer	ID-0000026	0.15
26.) Coupler ( non-operating )	DD-4000005	3.00
27.) Spring	IE-0000022	0.50
28.) T-bar	IG-0000001	0.50

\*Requires Exchange



# E 8

## A Unit ( trailing ) Parts

Name and Number	Part #	\$Price Per Unit
1.) SHELL ( NYC, # 4084 )	FC-2200057	*85.00
1.) SHELL ( NYC, # 4045 )	FC-2200058	*85.00
1.) SHELL ( S.P, # 6018 )	FC-2200059	*85.00
1.) SHELL ( S.P, # 6046 )	FC-2200060	*85.00
2.) Diaphragm	FI-0000017	2.00
3.) Portal lens	FA-2260001	2.00
4.) Air horns	FC-2200061	3.00
5.) Headlight lens	FA-2230009	2.00
6.) Mars light lens ( S.P. only )	FA-2230014	2.00
7.) Windows	FA-2230008	5.00
8.) Screw	IA-0000022	0.15
9.) Socket	CH-0000005	3.00
10.) Bulb	CG-0000002	.95
11.) Washer	ID-0000057	0.15
12.) Wire strap ( metal )	IH-0000012	1.00
13.) Spring	IE-0000029	0.50
14.) Bolt	IA-0000105	0.50
15.) Screw	IA-0000114	0.15
16.) Wire harness	BC-0000017	6.00
17.) Chassis ( non-powered A unit )	DH-2200020	*15.00
18.) Screw	IA-0000092	0.15
19.) Fuel tank ( black )	FC-2200062	*15.00
20.) Coupler ( non-operating )	DD-4000008	3.00
21.) Centering spring	IE-0000027	0.50
22.) Screw	IA-0000091	0.15
23.) Screw	IA-0000058	0.15
24.) Wire harness	BC-0000018	8.00
25.) Truck side ( black )( right rear/left front )	DB-2200005	9.00
26.) Truck side ( black )( left rear/right front )	DB-2200006	9.00
27.) Truck ( non-powered ) ( 3 axle )( for screw base coupler )	DA-2000004	*35.00
28.) Nut	IC-0000008	0.50
29.) Insulator (pick-up)(bottom)	BD-0000006	2.00
30.) Pick-up	BD-0000013	5.00
31.) Screw	IA-0000016	0.15
32.) Screw	IA-0000003	0.15
33.) Insulator ( pick-up )( top )	BD-0000026	2.00
34.) Screw	IA-0000017	0.15
35.) Pilot ( black )	DG-2230008	15.00
36.) T-bar	IG-0000001	0.50
37.) Proto-coupler	DD-0000004	10.00
38.) Spring	IE-0000022	0.50
39.) Washer	ID-0000026	0.15
40.) E-clip	IF-0000002	0.15
41.) Truck ( non-powered ) ( 3 axle )( for t-bar coupler )	DA-2000005	*35.00

### Horn Only Parts

42.) Coupler	DD-0000003	3.00
43.) Coupler armature	DD-0000022	1.00

\*Requires Exchange

