



Zephyr Set

30-2186-1

30-2186-0



Zephyr Engine

Parts

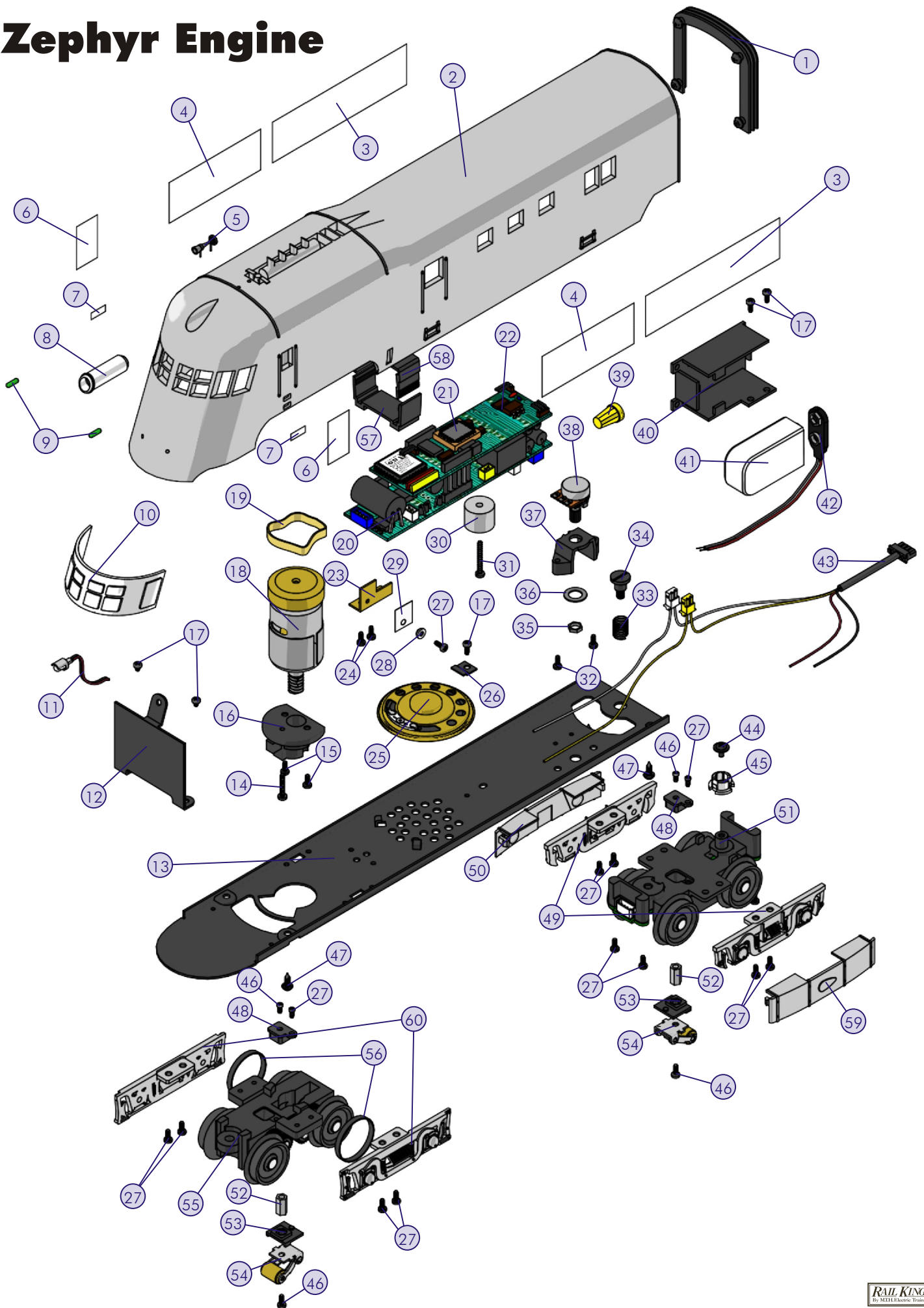
Name and Number	Part #	\$Price Per Unit	Name and Number	Part #	\$Price Per Unit
1.) Diaphragm (short)(for 0-31)	FI-0000028	3.00	39.) Wire nut (yellow)	BI-4500003	0.25
1.) Diaphragm (long)(for 0-72)	FI-0000029	3.00	40.) Bracket (battery)	IH-0000116	3.00
2.) Shell (Burlington)(silver)	FC-2200172	*85.00	41.) Battery	BG-4000001	9.95
3.) Lens (frosted) (26.0X95.0mm)	FA-0000037	1.00	42.) Battery leads (145.0mm long wires)	BC-0000003	3.00
4.) Lens (frosted) (26.0X65.0mm)	FA-0000038	1.00	43.) Wire harness	BC-0000045	8.00
5.) Air horn (silver)	FC-2200173	5.00	44.) Screw (6/32X6.0mm)(washer head)	IA-0000214	0.15
6.) Lens (frosted) (26.0X18.0mm)	FA-0000039	1.00	45.) Clip (plastic) (truck mounting)(male)	IF-0000010	1.00
7.) Number board (#9900)(sticker)	FG-2200023	0.50	46.) Screw (M3X6.0mm)(roundhead)(nickel)	IA-0000015	0.15
8.) Lens (headlight)(clear)	FA-0000040	2.00	47.) Screw (M3X16.0mm)(washer head)(self-drilling)	IA-0000025	0.15
9.) Lens (marker)(green)	FA-0000041	0.50	48.) Insulator (pick-up)(top)	BD-0000026	2.00
10.) Window lens (windshield)	FA-0000042	6.00	49.) Truck side (silver) (2 leaf springs)	DB-2200009	7.00
11.) Bulb (18V)(grain of wheat) (bulb base has overhang)(w/ 205.0mm long wires)	CA-0000024	2.00	50.) Truck side cover (silver) (right)	FC-2210014	4.00
12.) Bracket (for headlight)	IH-0000128	4.00	51.) Articulated truck (black)	DA-0000011	*30.00
13.) Chassis (black)	DH-2200039	*15.00	52.) Nut (2.5X5.0X7.0mm)	IC-0000008	0.50
14.) Screw (M3X14.0mm)(roundhead)(w/ lock washer)	IA-0000012	0.15	53.) Insulator (pick-up)(bottom)	BD-0000006	2.00
15.) Screw (M2.5X6.0mm) (roundhead)(w/ lock washer)(yellow Zink)	IA-0000089	0.15	54.) Pick-up (8.0X11.0mm roller)(19.5mm long)	BD-0000042	5.00
16.) Motor mount	BI-0000043	15.00	55.) Truck (2 axle)(powered)	DA-0000012	*30.00
17.) Screw (M3X3.0mm)(roundhead)	IA-0000296	0.15	56.) Traction tire	DE-0000014	0.75
18.) Motor (RS-365SH) (8.0X20.0mm long worm gear)(14.0mm long threads) (9.3X30.0mm flywheel)(black flywheel)	BE-0000054	25.00	57.) Clip (Proto-Sound® board)(bottom)(plastic)	IF-0000007	1.00
19.) Rubber band	BI-4500004	0.50	58.) Clip (Proto-Sound® board)(top)(plastic)	IF-0000006	1.00
20.) Proto-Sound® board (bottom)	AD-4500001	*60.00	59.) Truck side cover (silver) (left)	FC-2220014	4.00
21.) Proto-Sound® chip	N/A	19.95	60.) Truck side (silver) (6 leaf springs)	DB-2200010	7.00
22.) Proto-Sound® board (top)	AE-4500001	*100.00			
23.) Bracket (Proto-Sound® board)	IH-0000072	2.00			
24.) Screw (4/40X4.0mm)(roundhead)	IA-0000021	0.15			
25.) Speaker (Unison 5008BC3)	BF-4500010	8.95			
26.) Bracket (speaker)	IH-0000129	1.00			
27.) Screw (4/40X6.0mm)(roundhead)	IA-0000003	0.15			
28.) Insulator washer	ID-0000025	0.15			
29.) Insulator	ID-0000024	0.15			
30.) Heat sink (3.0X20.0X10.0mm)	AI-4500010	2.00			
31.) Screw (4/40X30.0mm)(roundhead)	IA-0000191	0.15			
32.) Screw (M3X8.0mm)(roundhead)(self-drilling)	IA-0000072	0.15			
33.) Spring (8.0X6.0mm)(w/ 0.7mm thick wire)	IE-0000029	0.50			
34.) Bolt (8/32X15.0mm) (slotted head)(6.0X8.0mm oversized shank)	IA-0000088	1.00			
35.) Nut (6.0X10.0X2.0mm)	IC-0000007	0.15			
36.) Washer (7.0X12.0X0.5mm)	ID-0000034	0.15			
37.) Bracket (volume pot)	IH-0000023	2.00			
38.) Volume pot (100.0mm long wires)	BI-0000044	5.00			

Horn Only Parts

Name and Number	Part #	\$Price Per Unit
20.) Board (DCRU)	AC-0000006	39.95
22.) Board (horn)	AF-4500004	29.95
23.) Bracket (for DCRU)	IH-0000119	2.00
24.) Screw (M3X3.0mm)(roundhead)	IA-0000296	0.15
30.) Heat sink (3.0X20.0X5.0mm)	AI-4500007	2.00
31.) Screw (4/40X20.0mm)(roundhead)	IA-0000112	0.15
43.) Wire harness	BC-0000046	8.00
NS.) Switch (small)	BB-0000009	5.00
NS.) Screw (M2X4.0mm)(roundhead)	IA-0000058	0.15

*Requires Exchange

Zephyr Engine



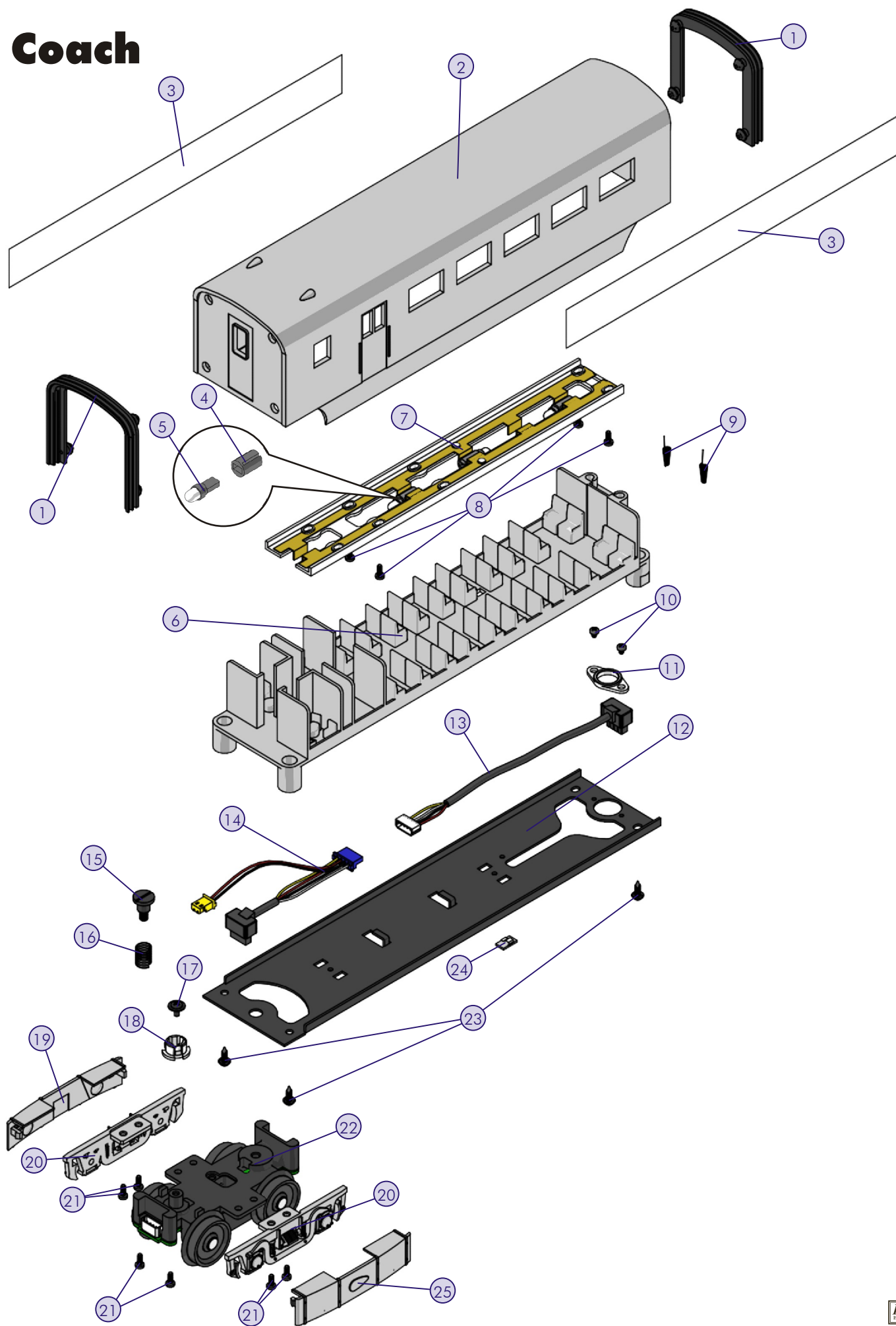
Coach

Parts

Name and Number	Part #	\$Price Per Unit
1.) Diaphragm (short)(for 0-31)	FI-0000028	3.00
1.) Diaphragm (long)(for 0-72)	FI-0000029	3.00
2.) Shell (silver)	FC-2200175	*65.00
3.) Lens (clear) (26.0X220.0mm)	FA-0000043	1.00
4.) Socket	CH-0000018	1.00
5.) Bulb (w/ base)(gray) (base has a overhang over the bulb)	CG-0000018	1.00
6.) Interior detail (gray)	FC-2200176	*15.00
7.) Bulb guide (30.0X208.0mm)	CH-0000032	8.00
8.) Screw (M3X6.0mm)(flathead)(plastic cutting threads)	IA-0000261	0.15
9.) Contact spring	IE-0000050	0.50
10.) Screw (M3X3.0mm)(roundhead)	IA-0000296	0.15
11.) Clip (truck mounting)(female)	IF-0000011	2.00
12.) Chassis (black)	DH-2200040	*15.00
13.) Wire harness (150.0mm long)(w/ 4 pin female plug)	BC-0000047	8.00
14.) Wire harness (60.0mm w/ 2 pin male plug) (200.0mm long)(w/ 4 pin male plug)	BC-0000048	8.00
15.) Bolt (8/32X15.0mm) (slotted head)(6.0X8.0mm oversized shank)	IA-0000088	1.00
16.) Spring (8.0X6.0mm)(w/ 0.7mm thick wire)	IE-0000029	0.50
17.) Screw (6/32X6.0mm)(washer head)	IA-0000214	0.15
18.) Clip (plastic) (truck mounting)(male)	IF-0000010	1.00
19.) Truck side cover (silver) (right)	FC-2210014	4.00
20.) Truck side (silver) (2 leaf springs)	DB-2200009	7.00
21.) Screw (4/40X6.0mm)(roundhead)	IA-0000003	0.15
22.) Articulated truck (black)	DA-0000011	*30.00
23.) Screw (M3X16.0mm)(washer head)(self-drilling)	IA-0000025	0.15
24.) Wire strap (metal)	IH-0000103	1.00
25.) Truck side cover (silver) (left)	FC-2220014	4.00

*Requires Exchange

Coach



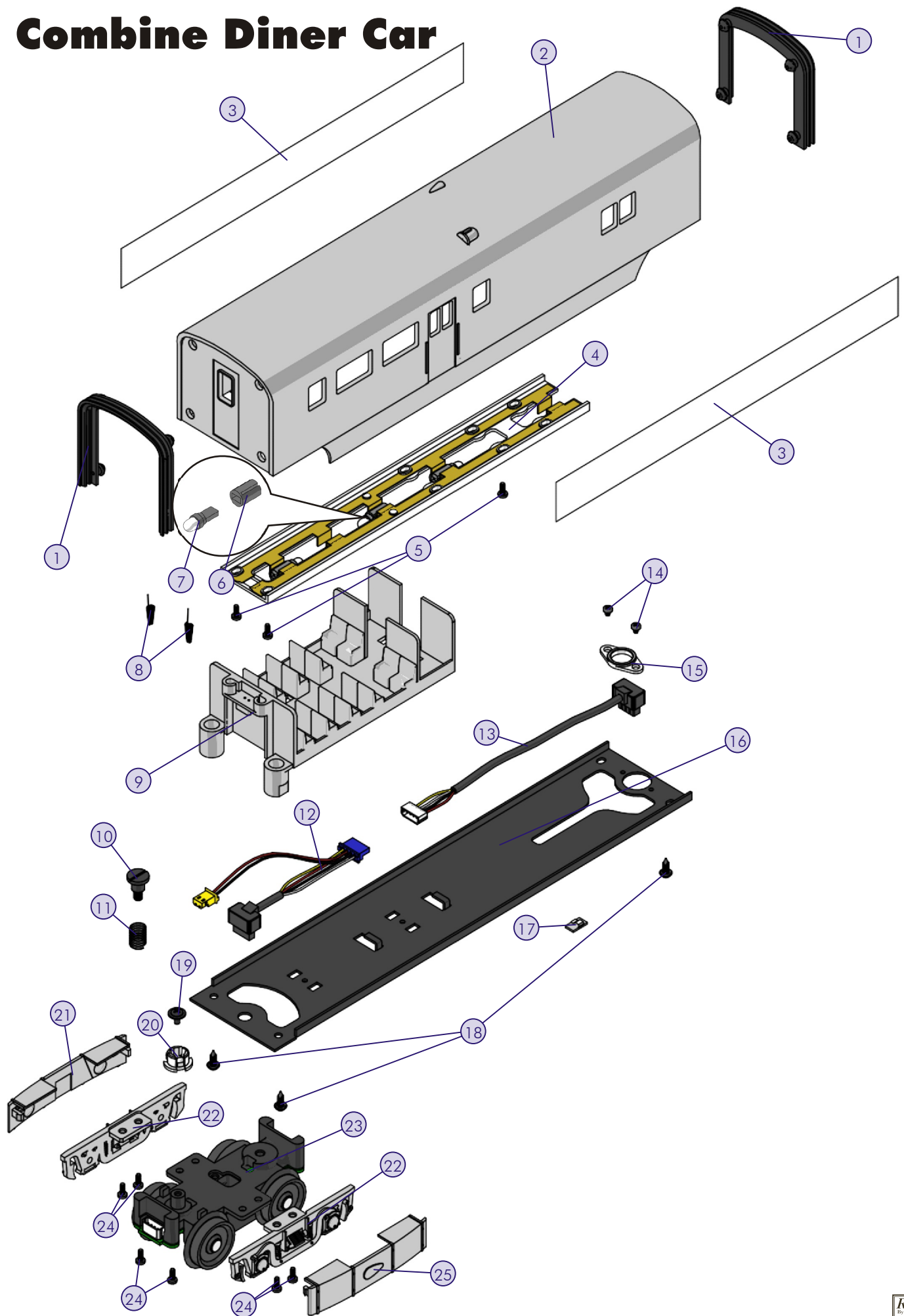
Combine Diner Car

Parts

Name and Number	Part #	\$Price Per Unit
1.) Diaphragm (short)(for 0-31)	FI-0000028	3.00
1.) Diaphragm (long)(for 0-72)	FI-0000029	3.00
2.) Shell (silver) (Railway Express Agency)	FC-2200177	*65.00
3.) Lens (clear) (26.0X220.0mm)	FA-0000043	1.00
4.) Bulb guide (30.0X208.0mm)	CH-0000032	8.00
5.) Screw (M3X6.0mm)(flathead)(plastic cutting threads)	IA-0000261	0.15
6.) Socket	CH-0000018	1.00
7.) Bulb (w/ base)(gray) (base has a overhang over the bulb)	CG-0000018	1.00
8.) Contact spring	IE-0000050	0.50
9.) Interior detail (gray)	FC-2200178	*15.00
10.) Bolt (8/32X15.0mm) (slotted head)(6.0X8.0mm oversized shank)	IA-0000088	1.00
11.) Spring (8.0X6.0mm)(w/ 0.7mm thick wire)	IE-0000029	0.50
12.) Wire harness (60.0mm w/ 2 pin male plug) (130.0mm long)(w/ 4 pin male plug)	BC-0000049	8.00
13.) Wire harness (170.0mm long)(w/ 4 pin female plug)	BC-0000050	8.00
14.) Screw (M3X3.0mm)(roundhead)	IA-0000296	0.15
15.) Clip (truck mounting)(female)	IF-0000011	2.00
16.) Chassis (black)	DH-2200041	*15.00
17.) Wire strap (metal)	IH-0000103	1.00
18.) Screw (M3X16.0mm)(washer head)(self-drilling)	IA-0000025	0.15
19.) Screw (6/32X6.0mm)(washer head)	IA-0000214	0.15
20.) Clip (plastic) (truck mounting)(male)	IF-0000010	1.00
21.) Truck side cover (silver) (right)	FC-2210014	4.00
22.) Truck side (silver) (2 leaf springs)	DB-2200009	7.00
23.) Articulated truck (black)	DA-0000011	*30.00
24.) Screw (4/40X6.0mm)(roundhead)	IA-0000003	0.15
25.) Truck side cover (silver) (left)	FC-2220014	4.00

*Requires Exchange

Combine Diner Car



Observation Car

Parts

Name and Number	Part #	\$Price Per Unit
1.) Lens (back-up)	FA-0000044	2.00
2.) Window lens	FA-0000045	6.00
3.) Marker lens (red)	FA-0000046	0.50
4.) Marker lens housing (left)	FC-2220013	5.00
5.) Marker lens housing (right)	FC-2210013	5.00
6.) Shell (silver) (Burlington-Zephyr)(# 9900)	FC-2200179	*65.00
7.) Lens (frosted) (27.0X33.0mm)	FA-0000047	0.50
8.) Lens (clear) (26.0X190.0mm long)	FA-0000048	1.00
9.) Diaphragm (short)(for 0-31)	FI-0000028	3.00
9.) Diaphragm (long)(for 0-72)	FI-0000029	3.00
10.) Socket	CH-0000018	1.00
11.) Bulb (w/ base)(gray) (base has a overhang over the bulb)	CG-0000018	1.00
12.) Bulb guide (30.0X208.0mm)	CH-0000032	8.00
13.) Screw (M3X6.0mm)(flathead)(plastic cutting threads)	IA-0000261	0.15
14.) Contact spring	IE-0000050	0.50
15.) Wire harness (200.0mm long)(w/ 2 pin male plug)	BC-0000051	2.00
16.) Interior detail (gray)	FC-2200180	*15.00
17.) Wire harness (240.0mm long yellow & white wires) (170.0mm long red & black wires)	BC-0000052	8.00
18.) Clip (truck mounting)(female)	IF-0000011	2.00
19.) Screw (M3X3.0mm)(roundhead)	IA-0000296	0.15
20.) Chassis (black)	DH-2200042	*15.00
21.) Wire nut (yellow)	BI-4500003	0.25
22.) Bracket (light)	IH-0000130	2.00
23.) Screw (M2.5X4.0mm)(roundhead)(plastic cutting threads)	IA-0000270	0.15
24.) Bulb (18V)(grain of wheat) (bulb base has overhang)(w/ 205.0mm long wires)	CA-0000024	2.00
25.) Rubber band	BI-4500004	0.50
26.) Motor (RS-365SH) (8.0X20.0mm long worm gear)(14.0mm long threads) (9.3X30.0mm flywheel)(brass flywheel)	BE-0000055	25.00
27.) Motor mount	BI-0000043	15.00
28.) Screw (M3X14.0mm)(roundhead)(w/ lock washer)	IA-0000012	0.15
29.) Screw (M2.5X6.0mm) (roundhead)(w/ lock washer)(yellow Zink)	IA-0000089	0.15
30.) Coupler skirt (silver)	FC-2200181	8.00
31.) Screw (M3X16.0mm)(washer head)(self-drilling)	IA-0000025	0.15
32.) Screw (4/40X6.0mm)(roundhead)	IA-0000003	0.15
33.) Screw (M3X6.0mm)(roundhead)(nickel)	IA-0000015	0.15
34.) Insulator (pick-up)(top)	BD-0000026	2.00
35.) Truck side (silver) (2 leaf springs)	DB-2200009	7.00
36.) Truck (2 axle)(powered)	DA-0000012	*30.00
37.) Truck side cover (silver) (right)	FC-2210014	4.00

Parts

Name and Number	Part #	\$Price Per Unit
38.) Insulator (pick-up)(bottom)	BD-0000006	2.00
39.) Pick-up (8.0X11.0mm roller)(19.5mm long)	BD-0000042	5.00
40.) Nut (2.5X5.0X7.0mm)	IC-0000008	0.50
41.) Traction tire	DE-0000014	0.75
42.) Truck side cover (silver) (left)	FC-2220014	4.00

*Requires Exchange

Observation Car

