

**RAILKING**<sup>®</sup>  
By M.T.H. Electric Trains

30-4087-0

# S-2 Turbine

## 6-8-6



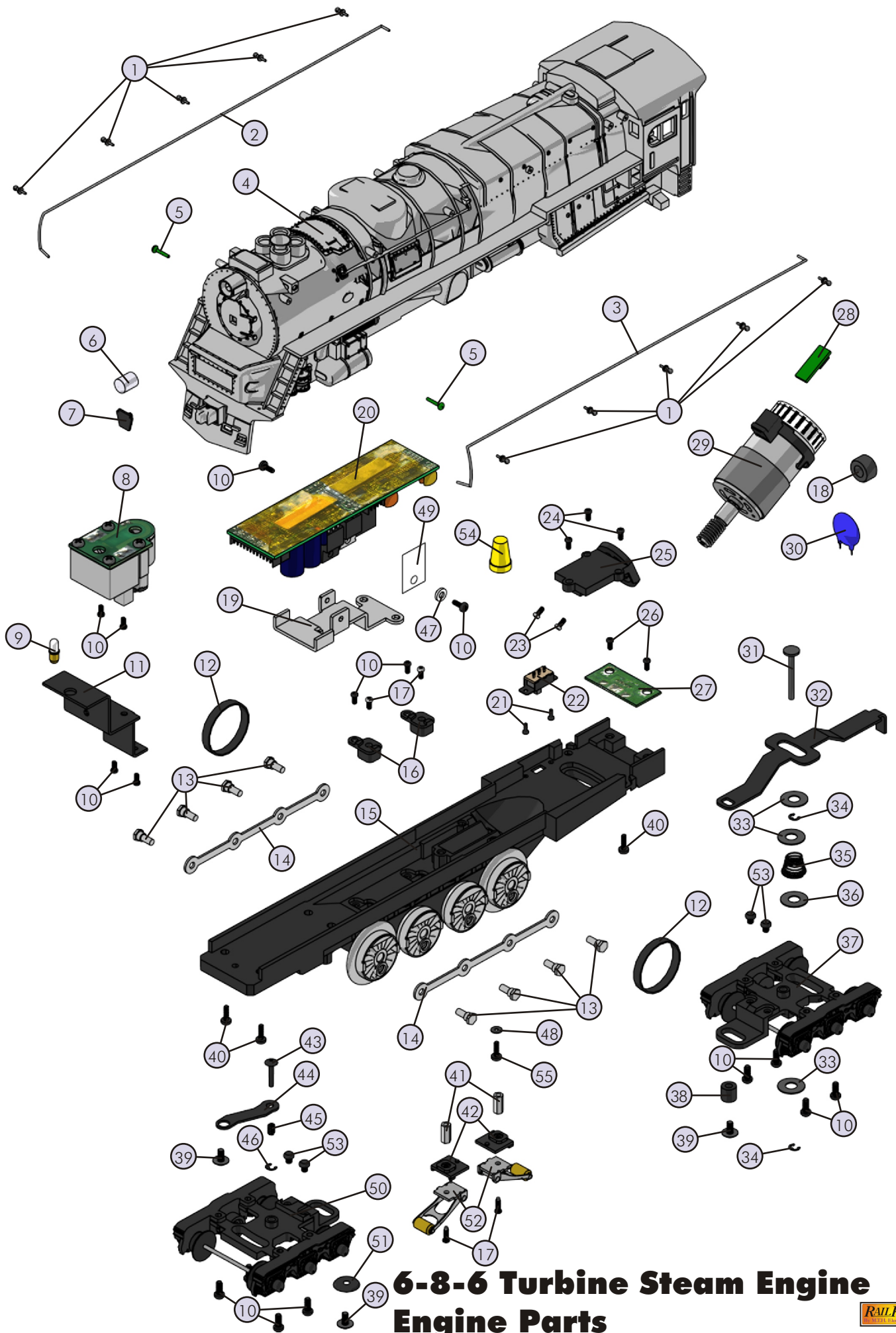
Ae093002

# 6-8-6 Turbine Steam Engine

## Engine Parts

Name and Number	Part #	\$Price Per Unit	Name and Number	Part #	\$Price Per Unit
1.) Stanchion ( black ) ( plastic )( 3.0mm long )	FB-1200242	0.50	36.) Washer ( 5.0x12.0x0.6mm )	ID-0000053	0.15
2.) Handrail ( nickel ) ( 20.0x207.0mm )( right )	FB-1210040	2.00	37.) Truck ( black ) ( 3 axle )( trailing )( boiler )	DA-1240033	30.00
3.) Handrail ( nickel ) ( 20.0x207.0mm )( left )	FB-1220047	2.00	38.) Spacer ( black ) ( 7.0x9.0x4.0mm )( metal )	ID-0000096	1.00
4.) Shell ( Brunswick green, gray ) ( Pennsylvania )( #6200 )( Die-cast metal )	FB-1200185	*100.00	39.) Screw ( 6/32x6.0mm )( washer head )	IA-0000214	0.15
5.) Marker lens ( green ) ( 2.2x13.3mm )( 2.8x1.2 )( plastic )	FA-1230003	1.00	40.) Screw ( 6/32x8.0mm )( roundhead )	IA-0000050	0.15
6.) Lens ( clear ) ( headlight )( 7.0x6.0x13.0mm )	FA-1230022	2.00	41.) Nut ( nickel )( 2.5x5.0x10.0mm )	IC-0000005	0.50
7.) Number plate ( Tuscan & gold ) ( #6200 )( Keystone )( boiler front )	FB-1230005	4.00	42.) Insulator ( black ) ( pick-up )( bottom )( square )( plastic )	BD-0000001	2.00
8.) Smoke Unit ( Proto-Sound® 2.0 )	AA-0000029	50.00	43.) Pin ( black )( 3.0x15.0mm ) ( 6.0x1.3mm roundhead )( 1 e-clip groove )	IG-0000003	0.50
9.) Bulb ( 6v )( clear ) ( small globe )( screw base )( headlight )	CA-0000038	1.00	44.) Bracket ( black )( lead truck ) ( 37.0mm long )( 1.0mm thick )( 2 bends )	GA-1200068	3.00
10.) Screw ( 4/40x6.0mm )( roundhead )	IA-0000003	0.15	45.) Spring ( nickel ) ( 6.5x9.0mm )( 0.5mm thick wire )	IE-0000009	0.50
11.) Bracket ( black ) ( 3 step )( headlight/smoke unit )( metal )	IH-0000172	3.00	46.) E-clip ( 2.5x6.0x0.5mm )	IF-0000004	0.15
12.) Traction tire	DE-0000022	0.75	47.) Insulator washer ( white ) ( 6.0x4.0x2.5mm )( plastic )	ID-0000033	0.15
13.) Bolt ( M3x8.0mm )( nickel ) ( 5.0mm hex head )( 4.0x2.5mm shoulder )	IA-0000087	1.00	48.) Washer ( black ) ( 3.0x6.0x0.4mm )( fiber )	ID-0000040	0.15
14.) Side rod ( nickel ) ( 1.0x85.0mm )( 4 holes )	EC-1250024	2.00	49.) Insulator ( clear ) ( 13.0x19.0x0.1mm )( single hole )	ID-0000024	0.15
15.) Drive block ( black )( 4 axle )	DF-1200028	*75.00	50.) Truck ( black ) ( 3 axle )( boiler )( lead )	DA-1230023	30.00
16.) Insulator ( black ) ( top )( square )( pick-up )	BD-0000009	2.00	51.) Spacer ( black ) ( 3.5x15.0x2.5mm )( metal )( cupped )	ID-0000014	1.00
17.) Screw ( nickel ) ( M3x6.0mm )( roundhead )	IA-0000015	0.15	52.) Pick-up ( 8.0x11.0mm roller )( 28.0mm long )	BD-0000048	5.00
18.) Ferrite bead	AI-0000030	2.00	53.) Screw ( 4/40x4.0mm )( roundhead )	IA-0000021	0.15
19.) Bracket ( Aluminum ) ( for Loco-Sound™ board )	IH-0000171	3.00	54.) Wire nut ( yellow )	BI-4500003	0.25
20.) Board ( Loco-Sound™ )	AE-0000003	*100.00	55.) Screw ( 6/32x4.0mm )( roundhead )	IA-0000060	0.15
21.) Screw ( M2x4.0mm )( roundhead )	IA-0000058	0.15	NS.) Bracket ( black ) ( 3 axle )( leading )( truck )( engine )( square opening )	IH-1230007	7.00
22.) Switch ( small )	BB-0000009	5.00	NS.) Bracket ( black ) ( 3 axle )( trailing )( truck )( engine ) ( oval opening )	IH-1240001	7.00
23.) Screw ( yellow Zinc ) ( M2.5x6.0mm )( roundhead w/ lock washer )	IA-0000089	0.15	NS.) Wire harness ( 10 pin green female PCB )	BC-1200021	12.00
24.) Screw ( 6/32x10.0mm )( roundhead )	IA-0000040	0.15	NS.) Wire harness ( 7 pin black male plug )	BC-1200014	8.00
25.) Motor mount ( black )	BI-0000034	15.00	NS.) Wire harness ( 5 pin black male plug )	BC-1200015	5.00
26.) Screw ( 6/32x6.0mm )( roundhead )	IA-0000027	0.15	NS.) Wire harness ( 4 pin black male plug )	BC-1200020	4.00
27.) PC board ( green ) ( w/ 10 pin female plug )	AG-0000039	8.00			
28.) Tach board ( for Proto-Sound 2.0® and Loco-Sound™ )	AG-0000033	6.00			
29.) Motor ( RS-365SH ) ( 8.0x21.0mm worm gear )( 13.0mm long threads ) ( 9.0x30.0mm white flywheel w/ black stripes ) ( tach board mounting strap )	BE-0000076	25.00			
30.) Capacitor ( blue )( .01 uF ) ( 16.0x2.0mm )( w/ 2 wires )	AI-0000031	2.00			
31.) Pin ( black )( 5.0x25.0mm ) ( 8.0x1.5mm flathead )( 2 e-clip grooves )	IG-0000033	0.50			
32.) Draw bar ( black ) ( 10.0x105.0mm )( multiple bend w/ tender hook )	FB-1200183	3.00			
33.) Washer ( 5.0x12.0x0.8mm )	ID-0000012	0.15			
34.) E-clip ( 3.5x9.0x0.6mm )	IF-0000009	0.15			
35.) Spring ( nickel ) ( 6.0x12.5x13.0mm )( 0.6mm thick wire )	IE-0000062	0.50			

\*Requires Exchange  
All parts priced as each



# 6-8-6 Turbine Steam Engine Engine Parts

# 6-8-6 Steam Turbine Tender

## Tender Parts

Name and Number	Part #	\$Price Per Unit
1.) Shell ( Brunswick green ) ( Pennsylvania )( #6200 )( plastic )	GA-1200069	*40.00
2.) Weight ( black ) ( metal )( 34.4x39.3x19.8mm ) ( w/ 3 holes tapped for 4/40 screws )	II-0000015	5.00
3.) Wire harness ( black male 10 pin plug )	BC-1200106	12.00
4.) Screw ( 4/40x6.0mm )( roundhead )	IA-0000003	0.15
5.) Spacer ( black ) ( 3.0x6.0x4.0mm )( plastic )	ID-0000071	0.15
6.) Volume pot ( blue )( small )	BI-0000040	5.00
7.) Screw ( M3x8.0mm )( roundhead )	IA-0000035	0.15
8.) Screw ( M3x6.0mm )( roundhead )	IA-0000016	0.15
9.) Speaker cone ( black ) ( 44.0x48.3x23.0mm )( 2 screw hole tabs )( plastic )	BF-0000016	5.00
10.) Speaker ( Cuistack )( GF0501, 8 ohms, 0.25 watt )	BF-0000015	8.95
11.) Gasket ( black ) ( speaker ring )( 43.8x49.8x3.0mm )( foam )	IB-0000009	0.50
12.) Chassis ( black ) ( tender )( has holes for battery charger jack )	GB-1200048	*15.00
13.) Screw ( M3x16.0mm )( washer head )( self-drilling threads )	IA-0000025	0.15
14.) T-bar ( black ) ( 4.0x20.0mm )( plastic )	IG-0000001	0.50
15.) Coupler ( black ) ( mechanical )( 51.5mm long )	DD-0000039	3.00
16.) Armature ( black ) ( 45.0mm long )	DD-0000040	1.00
17.) Spring ( nickel ) ( 6.5x11.0mm )( w/ 0.4mm thick wire )	IE-0000007	0.50
18.) Washer ( black )( plastic ) ( 4.6x8.6x2.0mm )( inside 7.0x1.0mm )( cup shaped )	ID-0000060	0.15
19.) E-clip ( 3.0x8.0x0.5mm )	IF-0000002	0.15
20.) Screw ( 6/32x6.0mm )( washer head )	IA-0000214	0.15
21.) Truck ( black ) ( 3 axle )( leading/trailing )( tender )	DA-1250005	25.00
22.) Draw bar ( black ) ( 60.7x10.0x1.2mm )( 1 step, 2 bends ) ( 2 large holes, 1 small hole )	GA-1200027	3.00
NS.) Axle bearing ( black ) ( 3 axle )( plastic )	DC-0000005	3.00

\*Requires Exchange  
All parts are priced as each

# 6-8-6 Steam Turbine Tender

## Tender Parts

