

RAIL KING[®]
By M.T.H. Electric Trains

30-4058-1

N&W " J "
4-8-4



GL080801

DCS
PRO SOUND
DIGITAL CONTROL SYSTEM

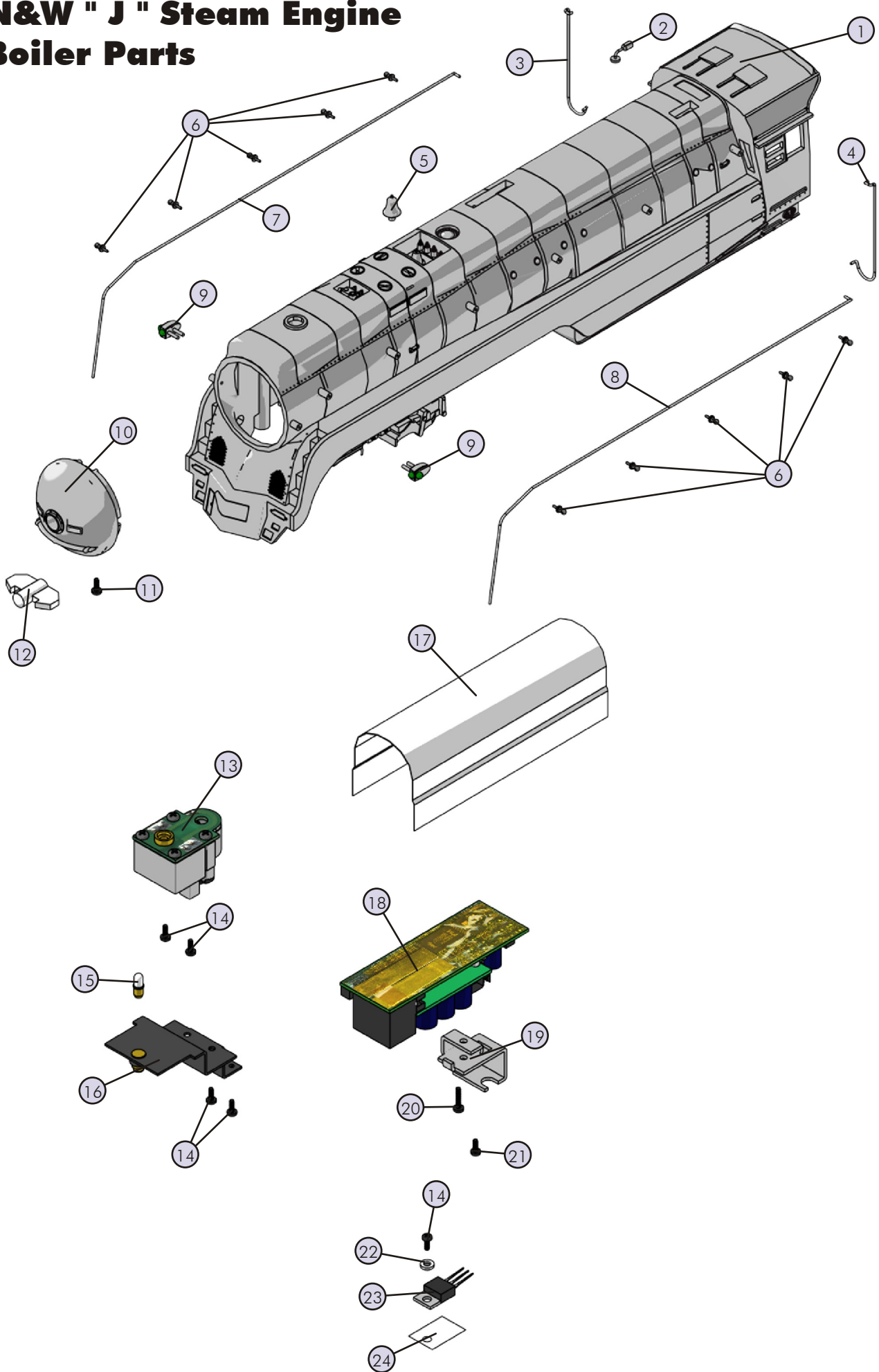
N&W " J " Steam Engine

Boiler Parts

Name and Number	Part #	\$Price Per Unit
1.) Shell (black, maroon, gold) (boiler)(N&W)(# 612)	FB-1200256	*150.00
2.) Whistle (nickel)	FB-1200003	4.00
3.) Handrail (nickel) (right)(cab)(40.8mm long)	FB-1210048	2.00
4.) Handrail (nickel) (left)(cab)(40.8mm long)	FB-1220055	2.00
5.) Bell (nickel)	FB-1200002	4.00
6.) Stanchion (black) (3.0mm long)(plastic)	FB-1200242	0.50
7.) Handrail (nickel) (right)(boiler)(263.0mm long)	FB-1210001	3.00
8.) Handrail (nickel) (left)(boiler)(263.0mm long)	FB-1220001	3.00
9.) Marker light housing (black) (w/ green lens)	FB-1200257	8.00
10.) Boiler front (black)	FB-1200258	14.00
11.) Screw (6/32x6.0mm)(roundhead)	IA-0000027	0.15
12.) Lens (clear) (headlight/number board)(# 612)	FA-1230028	5.00
13.) Smoke unit (7.8x9.0x2.8x4.4mm brass cup)(7.5mm long posts) (Proto-Sound 2.0® & Loco Sound®)	AA-0000043	50.00
14.) Screw (4/40x6.0mm)(roundhead)	IA-0000003	0.15
15.) Bulb (clear) (6v)(small globe)(screw base)	CA-0000038	1.00
16.) Bracket (black) (headlight/smoke unit)	IH-0000257	3.00
17.) Insulator (clear)(fits RK " J " only)	BD-1200006	3.00
18.) Boards (Proto-Sound 2.0®)	AE-0000001	*200.00
19.) Bracket (Aluminum) (19.0x15.1x27.1mm)(16.5mm step) (for Proto-Sound® 2.0 boards)	IH-0000258	3.00
20.) Screw (6/32x12.0mm)(roundhead)	IA-0000103	0.15
21.) Screw (4/40x12.0mm)(roundhead)	IA-0000264	0.15
22.) Insulator (white) (washer)(3.0x6.0x3.0mm)(plastic)	ID-0000025	0.15
23.) Voltage regulator (LM2937ET)	AG-0000032	3.00
24.) Insulator (clear) (13.0x19.0x0.1mm)(single hole)	ID-0000024	0.15
NS.) Wire harness (black male 12 pin plug)	BC-0000104	12.00
NS.) Wire harness (black male 7 pin plug)	BC-0000105	10.00
NS.) Wire harness (black male 5 pin plug)	BC-0000106	5.00
NS.) Wire harness (black male 4 pin plug)	BC-0000107	5.00

*Requires Exchange
All parts are priced as each

N&W " J " Steam Engine Boiler Parts



N&W " J " Steam Engine

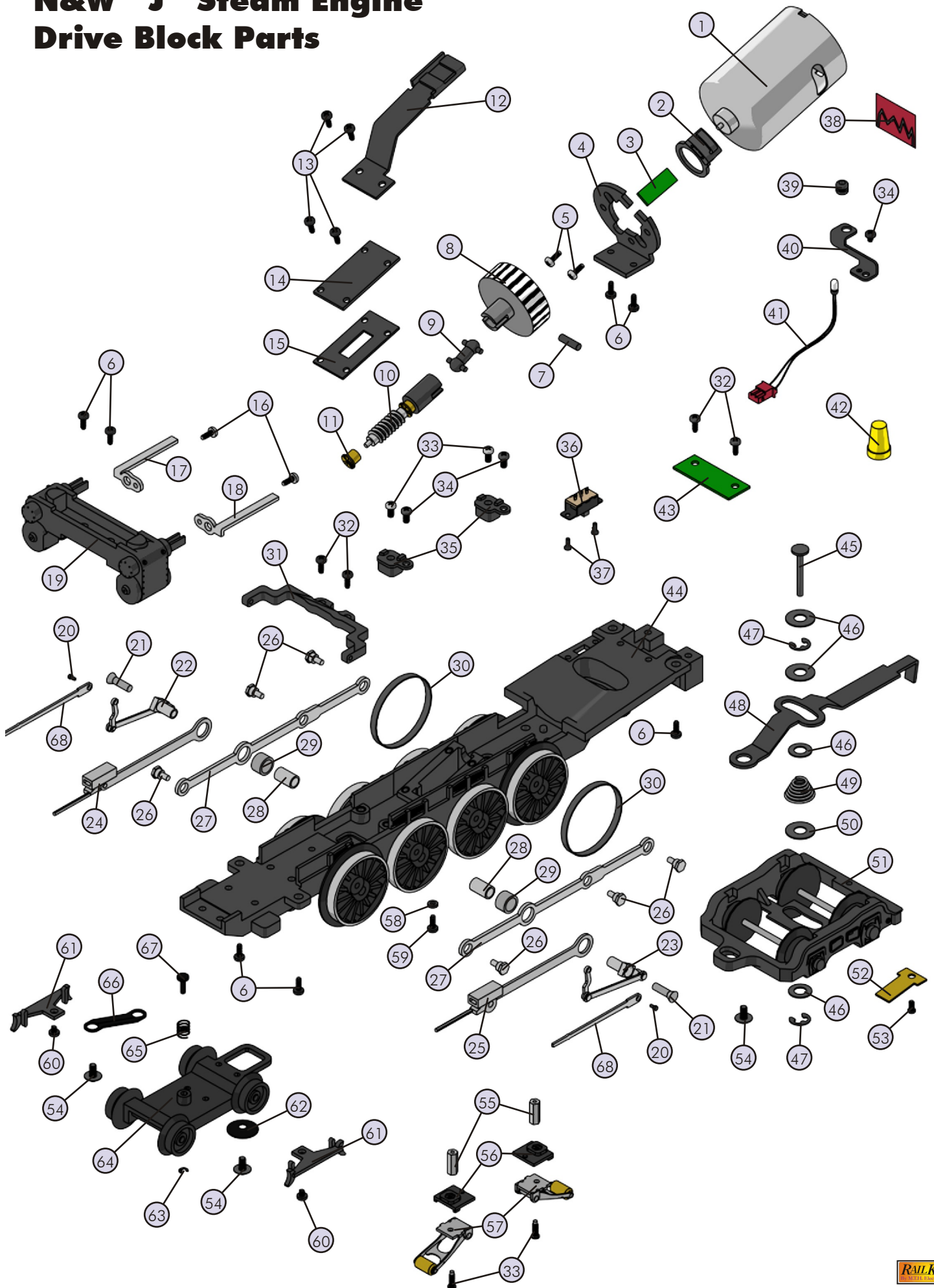
Drive Block Parts

Name and Number	Part #	\$Price Per Unit	Name and Number	Part #	\$Price Per Unit
1.) Motor (RS-545RH)(no worm gear)	BE-0000087	25.00	35.) Insulator (black) (top)(square)(pick-up)	BD-0000026	2.00
2.) Bracket (black)(plastic) (for tach board mounting)(fits on part # BI-0000052)	IH-0000192	3.00	36.) Switch (small)	BB-0000009	5.00
3.) Tach board (w/ 1.5mm spacer between board & optical sensor)	AG-0000047	6.00	37.) Screw (M2x4.0mm)(roundhead)	IA-0000058	0.15
4.) Motor mount (black) (for motor RS-545RH)(stamped metal)	BI-0000052	6.00	38.) Lens (red)(firebox glow)	FA-0000077	2.00
5.) Screw (M3x6.0mm)(roundhead)	IA-0000016	0.15	39.) Grommet (black) (4.5x5.0mm)(rubber)	IH-0000010	0.50
6.) Screw (6/32x8.0mm)(roundhead)	IA-0000050	0.15	40.) Bracket (black)(firebox glow)	IH-0000259	3.00
7.) Set screw (M3x10.0mm)(no screw head)	IA-0000151	0.15	41.) Bulb (clear)(6v) (80.0mm long wires w/ green male 2 pin plug) (grain of wheat)(firebox glow)	CG-0000041	2.00
8.) Flywheel (white w/black stripes) (10.0x30.0mm)(w/ socket for drive shaft)	BE-0000086	6.00	42.) Wire nut (yellow)	BI-4500003	0.25
9.) Drive shaft (black) (plastic)(15.6mm long)(dog bone)	EH-1200002	2.00	43.) PC board (green) (w/ 10 pin female plug)	AG-0000039	8.00
10.) Worm gear (54.5mm long)	EH-1200004	5.00	44.) Drive block (black)(4 axle)	DF-1200038	*100.00
11.) Bearing (brass) (2.9x5.3x4.6mm)	DC-0000006	3.00	45.) Pin (black) (5.0x27.5mm)(1.5x8.0mm flat head) (1 e-clip groove 0.8mm out from end and 1 15.6mm)	IG-0000043	1.00
12.) Bracket (black) (wire support)(stamped metal)	IH-0000191	3.00	46.) Washer (5.5x10.0x0.5mm)	ID-0000075	0.15
13.) Screw (4/40x8.0mm)(roundhead)	IA-0000011	0.15	47.) E-clip (3.5x9.0x0.6mm)	IF-0000009	0.15
14.) Gear box cover (black) (19.4x34.4x1.0mm)(metal)	BI-0000050	2.00	48.) Draw bar (black)(107.8mm long)	FB-1200072	3.00
15.) Gasket (black)(fiber) (for gear box cover)(19.3x33.9x1.5mm)	BI-0000051	1.00	49.) Spring (6.4x11.0x12.0mm)(0.6mm thick wire)	IE-0000065	0.50
16.) Screw (nickel) (6/32x6.0mm)(roundhead)	IA-0000051	0.15	50.) Washer (5.0x15.0x0.5mm)	ID-0000013	0.15
17.) Drive rod guide (nickel) (right)(33.0mm long)	EA-1210010	3.00	51.) Truck (black)(trailing)(2 axle)	DA-1240008	20.00
18.) Drive rod guide (nickel) (left)(33.0mm long)	EA-1220010	3.00	52.) Ground strap (copper)	II-4500002	1.00
19.) Steam chest (black) (" J ")(N&W)(# 612)	EF-1230003	15.00	53.) Screw (4/40x4.0mm)(roundhead)	IA-0000021	0.15
20.) Screw (black) (M2x4.0mm)(roundhead)(w/ 2.0x2.5mm shank)	IA-0000053	0.15	54.) Screw (6/32x6.0mm)(washer head)	IA-0000214	0.15
21.) Screw (nickel) (M3x16.0mm)(flathead)	IA-0000052	0.15	55.) Nut (nickel)(2.5x5.0x10.0mm)	IC-0000005	0.50
22.) Eccentric assembly (nickel) (right)(38.0mm long rod)	ED-1210029	5.00	56.) Insulator (black) (pick-up)(bottom)(plastic)	BD-0000001	2.00
23.) Eccentric assembly (nickel) (left)(38.0mm long rod)	ED-1220029	5.00	57.) Pick-up (8.0x11.0mm roller)(28.0mm long)	BD-0000048	5.00
24.) Drive rod (nickel) (right)(86.0mm long)	EC-1210022	5.00	58.) Washer (black) (3.0x6.0x0.4mm)(fiber)	ID-0000040	0.15
25.) Drive rod (nickel) (left)(86.0mm long)	EC-1220022	5.00	59.) Screw (6/32x4.0mm)(roundhead)	IA-0000060	0.15
26.) Bolt (nickel)(M3x9.4mm) (4.0x2.5mm shank)(5.0mm hex head)	IA-0000054	1.00	60.) Screw (4/40x6.0mm)(flathead)	IA-0000038	0.15
27.) Side rod (nickel)(106.0mm long)	EC-1250008	2.00	61.) Brake assembly (black) (lead truck)(2 axle)(fits part # DA-1230030)	FB-1200259	5.00
28.) Sleeve (nickel) (inner)(5.3x6.5x7.8mm)	ID-0000058	1.00	62.) Spacer (black) (3.5x15.0x2.5mm)(metal)(cupped)	ID-0000014	1.00
29.) Sleeve (nickel) (outer)(6.8x10.0x4.4mm)	ID-0000059	1.00	63.) E-clip (2.5x6.0x0.5mm)	IF-0000004	0.15
30.) Traction tire (black)	DE-0000025	0.75	64.) Truck (black) (lead)(2 axle)(43.0mm long wheelbase)	DA-1230030	15.00
31.) Motion hanger (black)	EA-1200011	4.00	65.) Spring (nickel) (7.0x10.0mm)(w/ 0.5mm thick wire)	IE-0000030	0.50
32.) Screw (6/32x6.0mm)(roundhead)	IA-0000027	0.15	66.) Bracket (black) (lead truck)(7.0x34.8mm)(1.0mm thick)	IH-1230001	1.00
33.) Screw (nickel) (M3x6.0mm)(roundhead)	IA-0000015	0.15	67.) Pin (black) (3.1x14.8mm)(1.0x6.0mm rounded head) (1 e-clip groove 0.5mm out from end)	IG-0000003	0.50
34.) Screw (4/40x6.0mm)(roundhead)	IA-0000003	0.15	68.) Eccentric rod (nickel) (42.7mm long)(bends down on mounting end)	ED-1250007	1.00

*Requires Exchange
All parts are priced as each



N&W " J " Steam Engine Drive Block Parts



N&W " J " Steam Engine Tender

Tender Parts

			\$Price				\$Price
Name and Number	Part #	Per Unit		Name and Number	Part #	Per Unit	
1.) Ladder (black) (45.0mm long)(tender)(rear)	GA-1200099	8.00		37.) Screw (6/32x6.0mm)(washer head)	IA-0000214	0.15	
2.) Handrail (nickel)(30.0mm long)	GA-1200100	1.00		38.) Draw bar (black) (10.0x64.0mm)(4.5mm step) (2 holes for coupling)(2 holes for mounting)	GA-1200103	3.00	
3.) Lens (clear) (3.9x6.0x13.2mm)(2.0x6.8mm lens head) (4 ribs for press fit)(back-up light)	FA-1240001	2.00		NS.) Wire harness (yellow male 2 pin plug)	BC-0000102	3.00	
4.) Shell (black, maroon, gold) (tender)(N&W)(# 612)	GA-1200101	*100.00		NS.) Wire harness (blue male 2 pin plug)	BC-0000103	3.00	
5.) Handrail (nickel)(34.5mm long)	GA-1200102	1.00					
6.) Grommet (black) (4.5x5.0mm)(rubber)	IH-0000010	0.50					
7.) Bracket (black) (metal)(for back-up light) (1 hole for grommet)(2 holes for mounting)	IH-0000260	2.00					
8.) Screw (4/40x6.0mm)(roundhead)	IA-0000003	0.15					
9.) Bulb (clear)(6v) (200.0mm long wires w/ green 2 pin male plug) (grain of wheat)(back-up light)	CF-0000011	2.00					
10.) Screw (M3x8.0mm)(roundhead)	IA-0000035	0.15					
11.) Speaker cone (black)(plastic) (44.0x47.5x14.2mm)(2 mounting tabs)(top cut out)	BF-0000024	3.00					
12.) Speaker (STAR)(PR-050-A111)(16 ohms)(MAX 2W)	BF-0000007	8.95					
13.) Gasket (black) (43.8x49.8x3.0mm)(foam)	IB-0000009	0.50					
14.) PC board (green)(30.5x33.0mm)	AG-0000053	6.00					
15.) Screw (M2x4.0mm)(roundhead)	IA-0000058	0.15					
16.) Battery charger jack (complete)	BG-0000001	3.00					
17.) Wire harness (10 pin male plug)	BC-1200111	20.00					
18.) Chassis (black)(tender)	GB-1200049	*15.00					
19.) Bracket (black) (metal)(for mounting PC board) (30.0x16.8x17.0mm)(tapped for M3 screws)	IH-0000261	3.00					
20.) Screw (M3x4.0mm)(roundhead)	IA-0000010	0.15					
21.) Switch (large)(SPDT)	BB-0000010	5.00					
22.) Spacer (black) (3.0x6.0x4.3mm)(plastic)	ID-0000071	0.15					
23.) Volume pot (small) (blue w/ green board)	BI-0000040	5.00					
24.) Battery leads (195.0mm long wires w/ black male 2 pin plug)	BC-0000057	3.00					
25.) Battery	BG-4000001	10.00					
26.) Bracket (battery)	IH-0000042	3.00					
27.) Wire strap (black)(metal)(small)	IH-0000012	1.00					
28.) Screw (6/32x8.0mm)(roundhead)	IA-0000050	0.15					
29.) Screw (4/40x4.0mm)(roundhead)	IA-0000021	0.15					
30.) T-bar (black)(plastic)	IG-0000001	0.50					
31.) Proto-Coupler (Proto-Sound 2.0®)(44.5mm long)	DD-0000033	10.00					
32.) Spring (nickel) (6.5x14.0mm)(0.5mm thick wire)	IE-0000022	0.50					
33.) Washer (4.5x10.0x0.6mm)	ID-0000009	0.15					
34.) E-clip (3.0x8.0x0.5mm)	IF-0000001	0.15					
35.) Truck (black) (3 axle)(rear)(tender)	DA-1240040	30.00					
36.) Truck (black) (3 axle)(rear)(tender)(know T-bar mount)	DA-1230031	30.00					

*Requires Exchange
All parts are priced as each

N&W " J " Steam Engine Tender

Tender Parts

