



# Northern

## 4-8-4

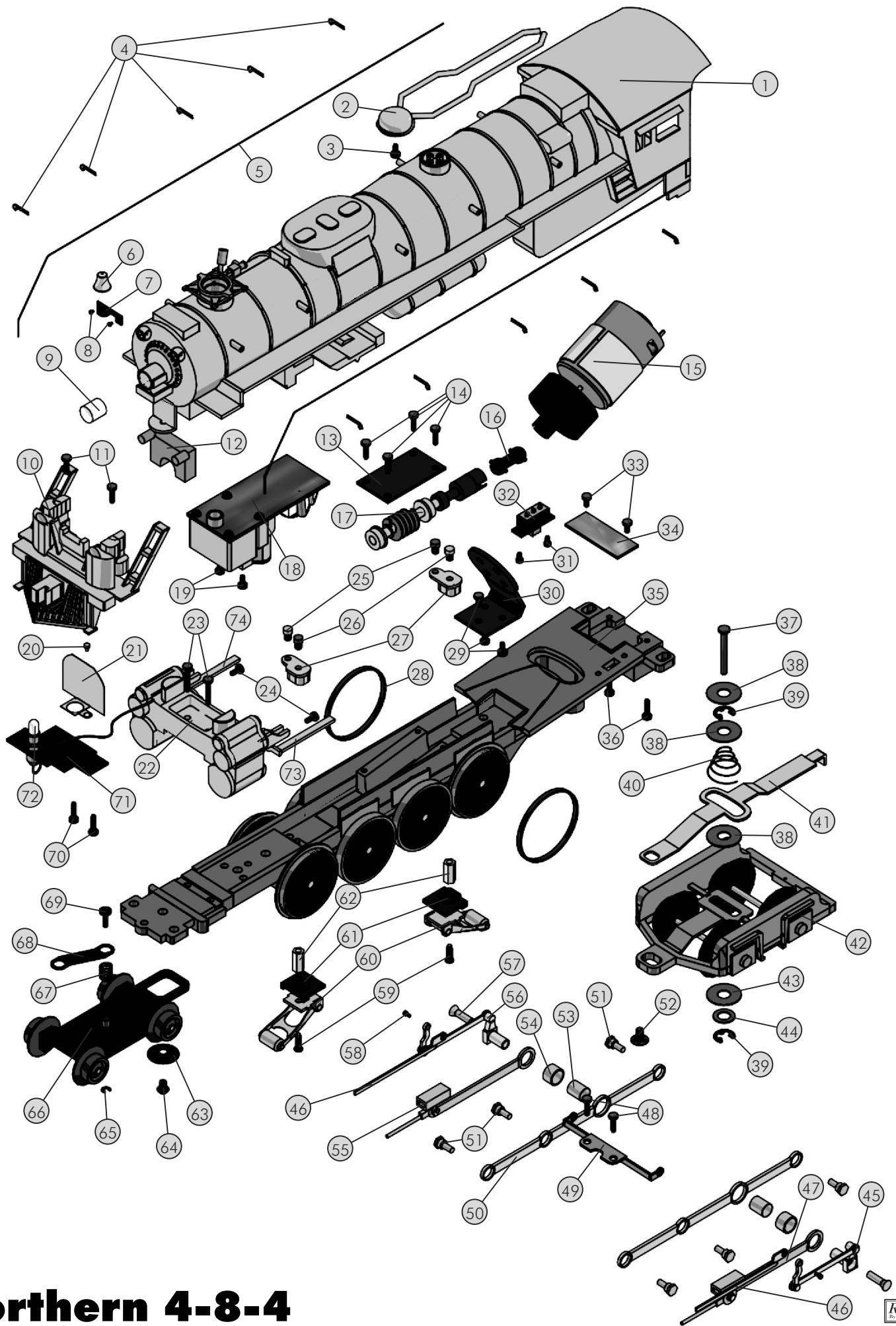
30-1140-1



# Northern 4-8-4

## Parts

Name and Number	Part #	\$Price Per Unit	Name and Number	Part #	\$Price Per Unit
1.) Boiler ( ATSF )( # 2926 )	FB-1200138	*150.00	47.) Drive rod ( left )	EC-1220009	5.00
2.) Pipe detail	FB-1200139	4.00	48.) Screw ( 6/32X5.0mm )( roundhead )	IA-0000199	0.15
3.) Screw ( 4/40X4.0mm )( washer head )	IA-0000217	0.15	49.) Motion hangar	EA-1200010	2.00
4.) Stanchions	FB-1200024	0.25	50.) Side rod	EC-1250020	1.00
5.) Handrail	FB-1200140	2.00	51.) Side rod bolt	IA-0000253	2.00
6.) Bell	FB-1200141	4.00	52.) Screw ( 6/32X5.0mm )( washer head )	IA-0000212	0.15
7.) Bracket ( bell )	FB-1200142	1.00	53.) Sleeve ( inner )	ID-1250005	1.00
8.) Screw ( M2X4.0mm )( fillister head )	IA-0000187	0.15	54.) Sleeve ( outer )	ID-1250002	1.00
9.) Lens	FA-1230014	2.00	55.) Drive rod ( right )	EC-1210009	5.00
10.) Pilot	DG-1230013	20.00	56.) Eccentric assembly ( right )	ED-1210020	1.00
11.) Screw ( 6/32X8.0mm )( roundhead )	IA-0000050	0.15	57.) Screw ( nickel ) ( M3X16.0mm )( flathead )	IA-0000052	0.15
12.) Marker light lens ( green )	FA-1230002	2.00	58.) Screw ( M2X5.0mm ) ( w/ 2.5mm undersized shank )( roundhead )	IA-0000119	0.15
13.) Gear box cover plate	EI-0000001	2.00	59.) Screw ( nickel ) ( M3X6.0mm )( roundhead )	IA-0000015	0.15
14.) Screw ( 7/32X7.0mm )( roundhead )	IA-0000063	0.15	60.) Pick-up	BD-0000005	5.00
15.) Motor ( RS-385PH )	BE-0000049	20.00	61.) Insulator ( pick-up, bottom )	BD-0000024	2.00
16.) Dog bone shaft	EH-0000002	2.00	62.) Nut ( 2.5X5.0X10.0mm )	IC-0000001	0.50
17.) Worm gear	EH-0000008	35.00	63.) Spacer	ID-1030001	1.00
18.) Smoke unit	AA-1200015	50.00	64.) Screw ( 6/32X6.0mm )( washer head )	IA-0000214	0.15
19.) Screw ( M3X4.0mm )( roundhead )	IA-0000010	0.15	65.) E-clip ( 2.5X6.0X0.4mm )	IF-0000004	0.15
20.) Screw ( M2X3.0mm )( washer head )	IA-0000118	0.15	66.) Truck ( lead )	DA-1230004	20.00
21.) Bracket	IH-1200001	1.00	67.) Spring	IE-0000001	0.50
22.) Steam chest	EF-1230012	15.00	68.) Draw bar	IH-1230001	1.50
23.) Screw ( 6/32X12.0mm )( roundhead )	IA-0000103	0.15	69.) Pin	IG-0000003	0.50
24.) Screw ( nickel ) ( 6/32X6.0mm )( roundhead )	IA-0000051	0.15	70.) Screw ( M1.5X3.0mm )( fillister head )	IA-0000189	0.15
25.) Screw ( 7/32X7.0mm )( roundhead )	IA-0000063	0.15	71.) Bracket	IH-1200002	2.00
26.) Screw ( M3X6.0mm )( roundhead )	IA-0000016	0.15	72.) Bulb ( screw base )	CA-0230001	1.00
27.) Insulator ( top )	BD-0000026	2.00	73.) Drive rod guide ( left )	EA-1210006	3.00
28.) Traction tire	DE-0000023	0.75	74.) Drive rod guide ( right )	EA-1220006	3.00
29.) Screw ( 6/32X5.0mm )( roundhead )	IA-0000199	0.15			
30.) Motor mount	BI-0000041	15.00			*Requires Exchange
31.) Screw ( M2X4.0mm )( fillister head )	IA-0000187	0.15			
32.) Switch	BB-0000002	5.00			
33.) Screw ( 6/32X5.0mm )( roundhead )	IA-0000199	0.15			
34.) Wire harness plug ( PCB )	BB-0000011	8.00			
35.) Chassis	DF-1200023	*100.00			
36.) Screw ( 6/32X8.0mm )( roundhead )	IA-0000050	0.15			
37.) Pin	IG-0000006	0.50			
38.) Washer ( 5.0X12.0X0.8mm )	ID-0000012	0.15			
39.) E-clip ( 4.0X9.5X0.6mm )	IF-0000003	0.15			
40.) Spring	IE-0000020	0.50			
41.) Draw bar	FB-1200143	3.00			
42.) Trailing truck ( black )	DA-1240029	15.00			
43.) Washer ( 5.0X12.0X0.8mm )	ID-0000012	0.15			
44.) Washer ( 5.0X12.0X0.8mm )	ID-0000012	0.15			
45.) Eccentric assembly ( left )	ED-1220020	1.00			
46.) Eccentric rod ( silver )	ED-1200001	1.00			



# Northern 4-8-4

# Northern 4-8-4 Tender

## Parts

Name and Number	Part #	\$Price Per Unit
1.) Handrail	FB-1200144	1.00
2.) Shell ( Santa Fe # 2926 )	FB-1200145	*85.00
3.) Screw ( 4/40X18.0mm )( roundhead )	IA-0000026	0.15
4.) Bracket (Proto-Sound®board)	IH-0000111	2.00
5.) Insulator	ID-0000026	0.15
6.) Washer ( 6.0X4.0X2.5mm )	ID-0000033	0.15
7.) Screw ( 4/40X7.0mm )( roundhead )	IA-0000198	0.15
8.) Screw ( 4/40X6.0mm )( roundhead )	IA-0000003	0.15
9.) Board ( Proto-Sound® )( bottom )	AD-4500001	*60.00
10.) Board ( Proto-Sound® )( top )	AE-4500001	*100.00
11.) Bracket ( battery )	IH-0000112	2.00
12.) Screw ( 4/40X4.0mm )( roundhead )	IA-0000021	0.15
13.) Battery leads	BC-0000002	5.00
14.) Battery	BG-4000001	9.95
15.) Screw ( M3X10.0mm ) ( roundhead )( w/ plastic cutting threads )	IA-0000203	0.15
16.) Nut	IC-0000007	0.50
17.) Bracket ( volume pot )	IH-0000023	2.00
18.) Volume pot	BI-0000026	5.00
19.) Washer ( 7.0X12.0X0.5mm )	ID-0000034	0.15
20.) Proto-Sound Chip®	N/A	19.95
21.) Screw ( M2.5X3.0mm )( roundhead )	IA-0000022	0.15
22.) Bracket ( speaker )	IH-0000044	1.00
23.) Tender harness	BC-1200009	8.00
24.) Speaker	BF-4500008	8.95
25.) Chassis	GB-1200031	*15.00
26.) Screw ( 4/40X6.0mm )( washer head )	IA-0000028	0.15
27.) Draw bar	GA-1200054	3.00
28.) Screw ( 6/32X5.0mm )( washer head )	IA-0000212	0.15
29.) Screw ( 7/32X7.0mm )( roundhead )	IA-0000063	0.15
30.) Truck ( 4 axle )	DA-1250009	30.00
31.) T-bar	IG-0000001	0.50
32.) Proto-Coupler®	DD-4000001	10.00
33.) Washer ( 4.5X10.0X0.5mm )	ID-0000009	0.15
34.) Spring	IE-0000017	0.50
35.) E-clip ( 4.0X9.0X0.6mm )	IF-0000003	0.15

\*Requires Exchange

# Northern 4-8-4 Tender

