



Vanderbilt

30-1133-1

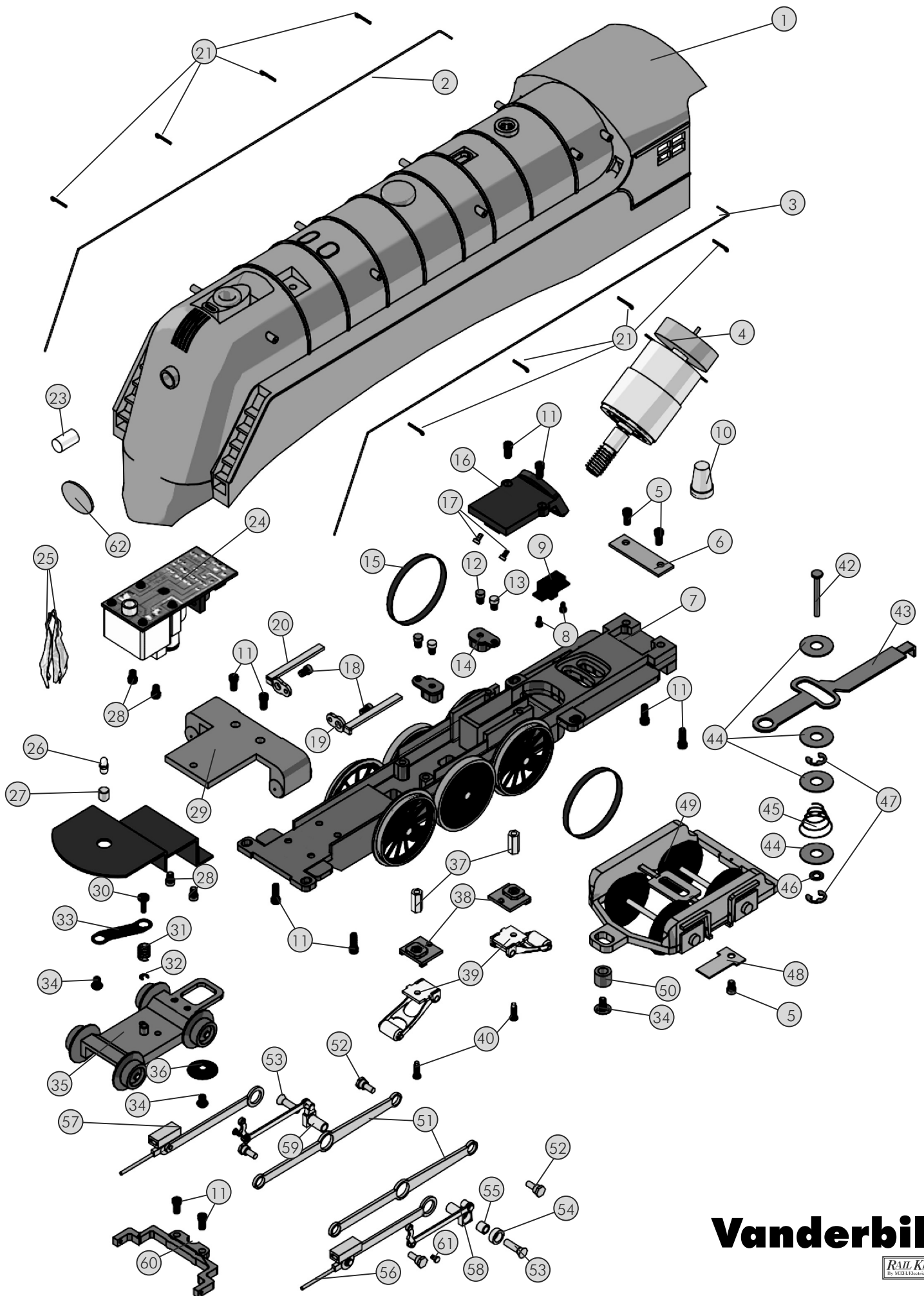


Vanderbilt

Parts

Name and Number	Part #	\$Price Per Unit	Name and Number	Part #	\$Price Per Unit
1.) Shell (Vanderbilt)	FB-1200127	*150.00	47.) E-clip (3.5X9.0X0.5mm)	IF-0000009	0.15
2.) Handrail (boiler)(right)	FB-1210026	2.00	48.) Ground strap	II-4500002	1.00
3.) Handrail (boiler)(left)	FB-1220026	2.00	49.) Truck (trailing)(2 axle)	DA-1240004	20.00
4.) Motor	BE-0000047	25.00	50.) Spacer (6.7X10.0X7.0mm)	ID-0000063	1.00
5.) Screw (4/40X4.0mm)(roundhead)	IA-0000021	0.15	51.) Side rod	EC-1250003	2.00
6.) PCB board	BB-0000019	8.00	52.) Bolt (M3X10.0mm)(w/ 4.0mm oversized shank)	IA-0000054	1.00
7.) Drive block (3 axle)	DF-1200001	*75.00	53.) Screw (M3X16.0mm)(flathead)	IA-0000052	1.00
8.) Screw (M2X4.0mm)(roundhead)	IA-0000058	0.15	54.) Sleeve (inner)	ID-0000058	1.00
9.) Switch (small)	BB-0000009	5.00	55.) Sleeve (outer)	ID-0000059	1.00
10.) Wire nut (yellow)	BI-4500003	0.25	56.) Drive rod (left)	EC-1220010	5.00
11.) Screw (6/32X8.0mm)(roundhead)	IA-0000050	0.15	57.) Drive rod (right)	EC-1210010	5.00
12.) Screw (nickel) (M3X6.0mm)(roundhead)	IA-0000015	0.15	58.) Eccentric assembly (left)	ED-1220019	5.00
13.) Screw (M3X6.0mm)(roundhead)	IA-0000016	0.15	59.) Eccentric assembly (right)	ED-1210019	5.00
14.) Insulator (pick-up)(top)	BD-0000047	2.00	60.) Motion hanger	EA-1200009	4.00
15.) Traction tire	DE-0000027	0.75	61.) Screw (M2X5.0mm) (w/ 2.5mm undersized shank)(roundhead)	IA-0000119	0.15
16.) Motor mount	BI-0000037	15.00	62.) Name plate (NYC)	FB-1200168	4.00
17.) Screw (M2.5X6.0mm)(roundhead)(w/ lock washer)	IA-0000089	0.15			
18.) Screw (6/32X6.0mm)(roundhead)	IA-0000051	0.15			
19.) Drive rod guide (left)	EA-1220006	3.00			
20.) Drive rod guide (right)	EA-1210006	3.00			
21.) Stanchion	FB-1200024	0.25			
23.) Lens (headlight)	FA-0000012	2.00			
24.) Smoke unit	AA-0000015	50.00			
25.) Smoke wick	AA-0000001	1.00			
26.) Bulb (18V)	CA-0230001	1.00			
27.) Bracket (headlight/smoke unit)	IH-0000096	3.00			
28.) Screw (4/40X6.0mm)(roundhead)	IA-0000003	0.15			
29.) Steam chest	EF-1230009	15.00			
30.) Pin	IG-0000003	0.50			
31.) Spring (6.5X9.0mm)	IE-0000009	0.50			
32.) E-clip (2.5X6.0X0.4mm)	IF-0000004	0.15			
33.) Bracket (lead truck mounting bracket)	IH-1230001	1.00			
34.) Screw (6/32X6.0mm)(washer head)	IA-0000214	0.15			
35.) Truck (leading)(2 axle)	DA-1230004	20.00			
36.) Spacer (3.5X15.0X2.5mm)	ID-0000014	1.00			
37.) Nut (2.5X5.0X10.0mm)	IC-0000005	0.50			
38.) Insulator (pick-up)(bottom)	BD-0000001	2.00			
39.) Pick-up	BD-0000048	5.00			
40.) Screw (nickel) (M3X8.0mm)(roundhead)	IA-0000164	0.15			
42.) Pin	IG-0000002	0.50			
43.) Draw bar	FB-1200107	3.00			
44.) Washer (5.0X15.5X0.5mm)	ID-0000054	0.15			
45.) Spring (7.5X13.0X11.0mm)	IE-0000013	0.50			
46.) Washer (5.0X12.0X0.6mm)	ID-0000053	0.15			

*Requires Exchange



Vanderbilt

RAIL KING
By MTH Electric Trains

Tender

Parts

Name and Number	Part #	\$Price Per Unit
1.) Shell (Vanderbilt)(NYC)	GA-1200052	*85.00
2.) Board (Proto-Sound®)(top)	AE-4500001	*100.00
3.) Proto-Sound Chip®	N/A	19.95
4.) Board (Proto-Sound®)(bottom)	AD-4500001	*60.00
5.) Screw (M2.5X3.0mm)(roundhead)	IA-0000022	0.15
6.) Bracket (speaker)	IH-0000002	1.00
7.) Speaker	BF-4500001	8.95
8.) Screw (4/40X6.0mm)(roundhead)	IA-0000003	0.15
9.) Insulator washer (3.0X6.0X3.00mm)	ID-0000025	0.15
10.) Insulator	ID-0000024	0.15
11.) Heat sink (3.0X20.0X10.0mm)	AI-0000017	2.00
12.) Screw (4/40X30.0mm) (roundhead)(w/7.0mm undersized shank)	IA-0000019	0.15
13.) Wire harness (tender)	BC-1200006	8.00
14.) Battery leads	BC-0000003	3.00
15.) Battery	BG-4000001	9.95
16.) Bracket	IH-0000072	2.00
17.) Volume pot	BI-4500001	5.00
18.) Bracket (volume pot)	IH-0000023	2.00
19.) Screw (M3X8.0mm)(roundhead)(self-drilling)	IA-0000072	0.15
20.) Washer (7.0X12.0X0.5mm)	ID-0000034	0.15
21.) Nut (6.0X10.0X2.0)	IC-0000007	0.50
22.) Chassis	GB-1200030	*15.00
23.) Screw (6/32X6.0mm)(roundhead)	IA-0000027	0.15
24.) Screw (6/32X6.0mm)(washer head)	IA-0000214	0.15
25.) Screw (4/40X4.0mm)(roundhead)	IA-0000021	0.15
26.) Truck (tender)(3 axle)(lead)	DA-1230019	30.00
27.) Draw bar (12.5X53.3X1.5)	GA-1200053	3.00
28.) Truck (tender)(3 axle)(trailing)	DA-1240028	30.00
29.) T-bar	IG-0000001	0.50
30.) Proto-Coupler®	DD-0000004	10.00
31.) Spring (6.5X14.0mm) (w/ 0.5mm thick wire)	IE-0000022	0.50
32.) Washer (5.0X10.0X1.0mm)	ID-0000026	0.15
33.) E-clip (3.0X8.0X0.5mm)	IF-0000002	0.15

*Requires Exchange

Vanderbilt Tender

