

**RAILKING**<sup>®</sup>  
By M.T.H. Electric Trains

30-1169-1

30-1169-0

# Royal Hudson 4-6-4



# Royal Hudson Steam Engine (top section)

## Engine Parts

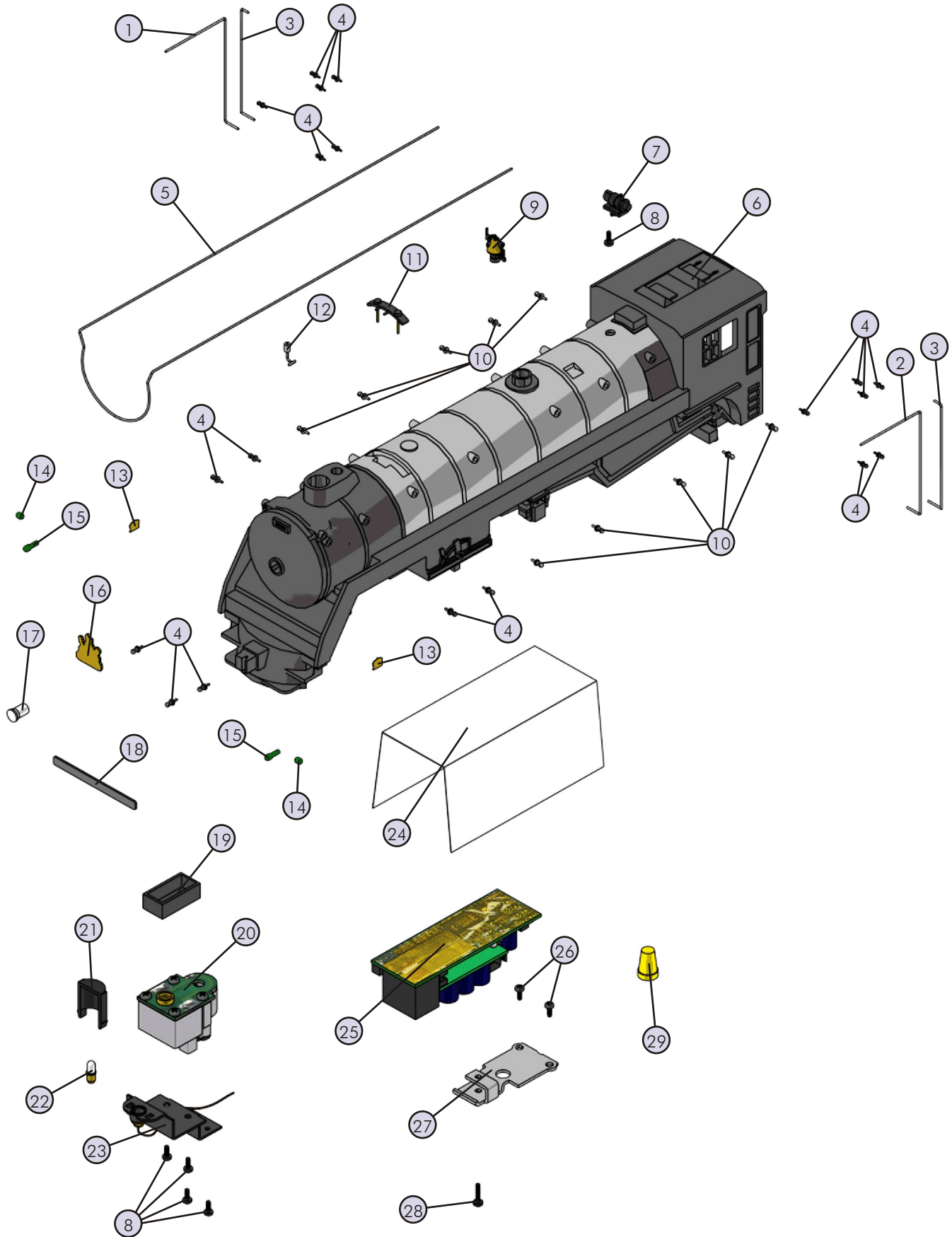
Name and Number	Part #	\$Price Per Unit
1.) Handrail ( nickel ) ( right )( 32.2x55.6mm, 1.0mm thick wire )	FB-1210043	2.00
2.) Handrail ( nickel ) ( left )( 32.2x55.6mm, 1.0mm thick wire )	FB-1220050	2.00
3.) Handrail ( nickel ) ( 55.7mm, 1.0mm thick wire )	FB-1200198	2.00
4.) Stanchion ( black ) ( 3.3mm long )( plastic )	FB-1200199	0.25
5.) Handrail ( nickel )( boiler )	FB-1200200	5.00
6.) Shell ( black, silver, red, gold ) ( boiler )( New York Central, # 1242 )	FB-1200201	*150.00
7.) Steam generator ( black )	FB-1200189	6.00
8.) Screw ( 4/40x6.0mm )( roundhead )	IA-0000003	0.15
9.) Bell ( brass bell, black bracket )	FB-1200202	10.00
10.) Stanchion ( silver ) ( 3.3mm long )( plastic )	FB-1200203	0.25
11.) Check valves ( black )	FB-1200204	8.00
12.) Whistle ( brass )	FB-1200205	6.00
13.) Crown ( gold )	FB-1200206	4.00
14.) Lens ( green )( marker ) ( 2.8x6.6mm )( hole in center )	FA-0000075	1.00
15.) Lens ( green )( marker ) ( 1.6x6.3mm )( 3.0x1.7mm rounded lens head )	FA-0000076	1.00
16.) Crest ( gold )	FB-1200207	8.00
17.) Lens ( clear )( headlight ) ( 1.8x4.0x6.0mm )( 7.0x2.0mm lens head )	FA-1230027	2.00
18.) Name plate ( black, gold ) ( British Columbia )	FB-1200208	8.00
19.) Smoke unit funnel ( black )	AA-0000028	2.00
20.) Smoke unit ( Proto-Sound 2.0® ) ( 6.0x3.0x4.4mm brass cup )( 7.5mm long posts )	AA-0000032	50.00
21.) Light reflector ( black )	CI-0000025	3.00
22.) Bulb ( clear ) ( 6v )( small globe )( screw base )	CA-0000038	1.00
23.) Bracket ( black ) ( headlight/smoke unit )	IH-0000177	3.00
24.) Insulator ( clear ) ( 25.0x40.0x110.0mm )( 0.2mm thick )	BD-0000069	2.00
25.) Boards ( Proto-Sound 2.0® )	AE-0000001	*200.00
26.) Screw ( 6/32x10.0mm )( roundhead )	IA-0000040	0.15
27.) Bracket ( Aluminum ) ( for Proto-Sound 2.0® boards )( 23.5x16.8x48.2mm )	IH-0000178	3.00
28.) Screw ( 6/32x14.0mm )( roundhead )	IA-0000194	0.15
29.) Wire nut ( yellow )	BI-4500003	0.25

## Loco-Sound® Only Parts

8.) Screw ( 4/40x6.0mm )( roundhead )	IA-0000003	0.15
25.) Boards ( Loco-Sound® )	AE-0000003	*100.00
27.) Bracket ( Aluminum ) ( for Loco-Sound® boards )	IH-0000179	3.00
NS.) Insulator ( white ) ( washer )( 3.0x6.0x3.0mm )( plastic )	ID-0000025	0.15
NS.) Insulator ( clear ) ( 13.0x19.0x0.1mm )( single hole )	ID-0000024	0.15

\*Requires Exchange  
All parts are priced as each

# Royal Hudson Steam Engine ( top section )



# Royal Hudson Steam Engine (bottom section)

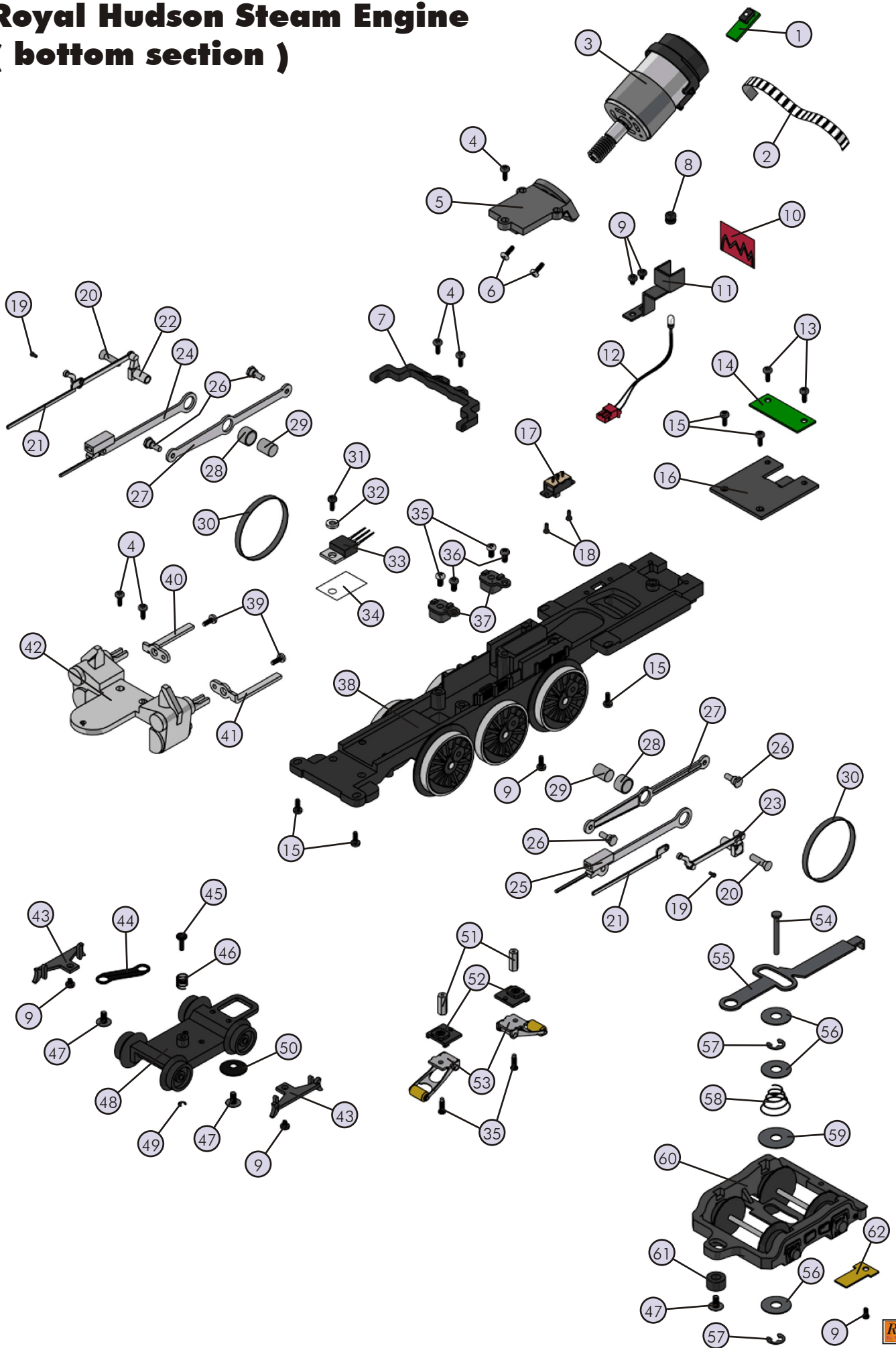
## Engine Parts

Name and Number	Part #	\$Price Per Unit	Name and Number	Part #	\$Price Per Unit
1.) Tach board	AG-0000033	6.00	38.) Drive block ( 3 axle )( black )	DF-1200031	*75.00
2.) Tach tape ( fits 30.0mm flywheel )( 1.96mm wide stripes ) ( black & white striped tape )	BE-0000069	1.00	39.) Screw ( nickel ) ( 4/40x8.0mm )( roundhead )	IA-0000029	0.15
3.) Motor ( RS-385SH ) ( 6.4x28.5mm worm gear )( 17.5mm long threads ) ( 11.0x30.0mm slightly tapered flywheel ) ( w/ tach board mounting strap )	BE-0000081	25.00	40.) Drive rod guide ( nickel ) ( right )( 33.0mm long )	EA-1210010	3.00
4.) Screw ( 6/32x10.0mm )( roundhead )	IA-0000040	0.15	41.) Drive rod guide ( nickel ) ( left )( 33.0mm long )	EA-1220010	3.00
5.) Motor mount ( black )	BI-0000034	15.00	42.) Steam chest ( silver )	EF-1230016	15.00
6.) Screw ( yellow Zinc ) ( M2.5x6.0mm )( roundhead w/ lock washer )	IA-0000089	0.15	43.) Brake assembly ( black ) ( lead truck )( 2 axle )	FB-1200209	5.00
7.) Motion hanger ( black )	EA-1200011	4.00	44.) Bracket ( black )( lead truck ) ( 7.0x33.4mm )( 1.0mm thick )	IH-1230008	1.00
8.) Grommet ( black ) ( 4.5x5.0mm )( rubber )	IH-0000010	0.50	45.) Pin ( black ) ( 3.1x14.8mm )( 6.0x1.0mm rounded head ) ( 1 e-clip groove 0.5mm out from end )	IG-0000003	0.50
9.) Screw ( 4/40x4.0mm )( roundhead )	IA-0000021	0.15	46.) Spring ( nickel ) ( 7.0x10.0mm )( w/ 0.5mm thick wire )	IE-0000030	0.50
10.) Lens ( red )( firebox glow )	FA-0000077	2.00	47.) Screw ( 6/32x6.0mm )( washer head )	IA-0000214	0.15
11.) Bracket (black)(firebox glow)	IH-0000180	3.00	48.) Truck ( black )( lead )( 2 axle )	DA-1230026	20.00
12.) Bulb ( clear )( 6v ) ( firebox glow )( 50.0mm long wires )( red 2 pin plug )	CG-0000030	2.00	49.) E-clip ( 2.5x6.0x0.5mm )	IF-0000004	0.15
13.) Screw ( 6/32x6.0mm )( roundhead )	IA-0000027	0.15	50.) Spacer ( black ) ( 3.5x15.0x2.5mm )( metal )( cupped )	ID-0000014	1.00
14.) PC board ( green ) ( 10 pin female plug ) ( w/ 130.0mm long wires and 12 pin male plug )	AG-0000046	8.00	51.) Nut ( nickel )( 2.5x5.0x10.0mm )	IC-0000005	0.50
15.) Screw ( 6/32x8.0mm )( roundhead )	IA-0000050	0.15	52.) Insulator ( black ) ( pick-up )( bottom )( plastic )	BD-0000001	2.00
16.) Bracket ( black ) ( PC board extension )( 34.0x37.8mm )( 1.6mm thick )	IH-0000181	3.00	53.) Pick-up ( 8.0x11.0mm roller )( 28.0mm long )	BD-0000048	5.00
17.) Switch ( small )	BB-0000009	5.00	54.) Pin ( black ) ( 5.0x27.3mm )( 8.0x1.5mm flat head ) ( 1 e-clip groove 0.8mm out from end and 1 11.5mm )	IG-0000002	0.50
18.) Screw ( M2x4.0mm )( roundhead )	IA-0000058	0.15	55.) Draw bar ( black )	FB-1200107	3.00
19.) Screw ( nickel ) ( M2x4.0mm )( roundhead )( w/ 2.0x2.5mm shank )	IA-0000104	0.15	56.) Washer ( 5.7x12.0x0.8mm )	ID-0000097	0.15
20.) Screw ( nickel ) ( M3x16.0mm )( flathead )	IA-0000052	0.15	57.) E-clip ( 3.5x9.0x0.6mm )	IF-0000009	0.15
21.) Eccentric rod ( nickel ) ( 42.5mm long )	ED-1200002	1.00	58.) Spring ( 7.5x13.0x11.0mm )	IE-0000013	0.50
22.) Eccentric assembly (nickel)(right)	ED-1210021	5.00	59.) Washer ( 5.0x15.0x0.5mm )	ID-0000013	0.15
23.) Eccentric assembly (nickel)(left)	ED-1220021	5.00	60.) Truck ( black )( trailing )( 2 axle )	DA-1240036	20.00
24.) Drive rod ( nickel )( right )	EC-1210010	5.00	61.) Spacer ( black ) ( 6.5x10.0x9.0mm )( metal )	ID-0000015	1.00
25.) Drive rod ( nickel )( left )	EC-1220010	5.00	62.) Ground strap ( copper )	II-4500002	1.00
26.) Bolt ( nickel )( M3x9.4mm ) ( 4.0x2.5mm shank )( 5.0mm hex head )	IA-0000054	1.00	NS.) Wire harness ( 12 pin male plug )	BC-1200034	15.00
27.) Side rod ( nickel )	EC-1250003	2.00	NS.) Wire harness ( 7 pin male plug )	BC-1200035	10.00
28.) Sleeve ( nickel )( outer )	ID-0000059	1.00	NS.) Wire harness ( 5 pin male plug )	BC-1200036	5.00
29.) Sleeve ( nickel )( inner )	ID-0000058	1.00	NS.) Wire harness ( 4 pin male plug )	BC-1200037	4.00
30.) Traction tire	DE-0000027	0.75	NS.) Wire harness ( 12 pin male plug )	BC-1200038	15.00
31.) Screw ( 4/40x8.0mm )( roundhead )	IA-0000011	0.15	NS.) Wire harness ( 7 pin male plug )	BC-1200039	10.00
32.) Insulator ( white ) ( washer )( 3.0x6.0x3.0mm )( plastic )	ID-0000025	0.15	NS.) Wire harness ( 5 pin male plug )	BC-1200040	5.00
33.) Voltage regulator ( LM2937ET )	AG-0000032	3.00	NS.) Wire harness ( 4 pin male plug )	BC-1200041	4.00
34.) Insulator ( clear ) ( 13.0x19.0x0.1mm )( single hole )	ID-0000024	0.15	NS.) Ferrite bead ( grey ) ( 4.6x9.7x9.4mm )( barrel shape )	AI-0000030	2.00
35.) Screw ( nickel ) ( M3x6.0mm )( roundhead )	IA-0000015	0.15			
36.) Screw ( 4/40x6.0mm )( roundhead )	IA-0000003	0.15			
37.) Insulator ( black ) ( top )( square )( pick-up )	BD-0000026	2.00			

### Loco-Sound® Only Parts

\*Requires Exchange  
All parts are priced as each

# Royal Hudson Steam Engine ( bottom section )





# Royal Hudson Steam Engine Tender

## Tender Parts

Name and Number	Part #	\$Price Per Unit	Name and Number	Part #	\$Price Per Unit
1.) Handrail (nickel)( 34.0mm long )	GA-1200077	1.00	27.) Washer ( black )( plastic )	ID-0000060	0.15
2.) Handrail ( nickel )	GA-1200078	3.00	( 4.6x8.5x0.5mm )( cup shaped for spring )		
3.) Stanchion ( black )( plastic )	GA-1200079	0.25	NS.) Coupler	DD-0000039	3.00
4.) Shell ( tender )( black, red, gold )	GA-1200080	*85.00	( mechanical )( 51.5mm long )		
( Royal Hudson )( British Columbia )			NS.) Armature ( 45.0mm long )	DD-0000040	1.00
5.) Lens ( clear )( back-up light )	FA-0000078	2.00			
( 1.8x3.2x6.0mm )( 3.8x0.5mm lens head )					
6.) Grommet ( black )	IH-0000010	0.50			
( 4.5x5.0mm )( rubber )					
7.) Bracket ( black )( metal )	IH-0000182	2.00			
(L-shaped)(3 holes)(18.3x21.7mm)(for back-up light)					
8.) Screw	IA-0000003	0.15			
( 4/40x6.0mm )( roundhead )					
9.) Bulb ( clear )( 6v )( back-up light )	CF-0000010	2.00			
(110.0mm long wires w/ green plug)(grain of wheat)					
10.) Battery	BG-4000001	9.95			
11.) Battery leads	BC-0000088	5.00			
( 50.0mm long wires w/ yellow male 2 pin plug )					
12.) Screw	IA-0000110	0.15			
( M3x10.0mm )( roundhead )					
13.) Screw	IA-0000010	0.15			
( M3x4.0mm )( roundhead )					
14.) Bracket ( battery )	IH-0000042	3.00			
15.) Speaker cone ( black )( plastic )	BF-0000017	3.00			
(41.5x54.5x6.5mm)(3 mounting tabs)(cut out in center)					
16.) Speaker ( Cuistack )	BF-0000007	8.95			
( GF0501 )( 16 ohms )( 0.25 watt )					
17.) Gasket ( black )	IB-0000009	0.50			
( 43.8x49.8x3.0mm )( foam )					
18.) Screw	IA-0000035	0.15			
( M3x8.0mm )( roundhead )					
19.) Volume pot ( small )	BI-0000040	5.00			
( blue w/ green board )					
20.) Spacer ( black )	ID-0000071	0.15			
( 3.0x6.0x4.3mm )( plastic )					
21.) Wire harness ( 10 pin plug )	BC-1200042	12.00			
22.) Chassis ( black )( tender )	GB-1200043	*15.00			
23.) Screw	IA-0000050	0.15			
( 6/32x8.0mm )( roundhead )					
24.) T-Bar ( black )( plastic )	IG-0000001	0.50			
25.) Coupler ( Proto Sound 2.0® )	DD-0000032	10.00			
( 51.0mm long )					
26.) Spring ( nickel )	IE-0000022	0.50			
( 6.5x14.0mm )( 0.5mm thick wire )					
27.) Washer ( 4.5x10.0x6.0mm )	ID-0000009	0.15			
28.) E-clip ( 3.0x8.0x0.5mm )	IF-0000001	0.15			
29.) Truck ( black )( 3 axle )( tender )	DA-1200014	30.00			
30.) Screw	IA-0000214	0.15			
( 6/32x6.0mm )( washer head )					
31.) Draw bar (black)(12.0x69.0mm)	GA-1200081	3.00			
( 6.0mm step up )( notched corner on mounting end )					

\*Requires Exchange  
All parts are priced as each

## Loco-Sound® Parts

16.) Speaker ( Cuistack )	BF-0000015	8.95
( GF0501 )( 8 ohms )( 0.25 watt )		
21.) Wire harness ( 10 pin plug )	BC-1200042	12.00
22.) Chassis ( black )( tender )	GB-1200043	*15.00
26.) Spring	IE-0000063	0.50
( 6.5x11.0mm )( 0.5mm thick wire )		

# Royal Hudson Tender

