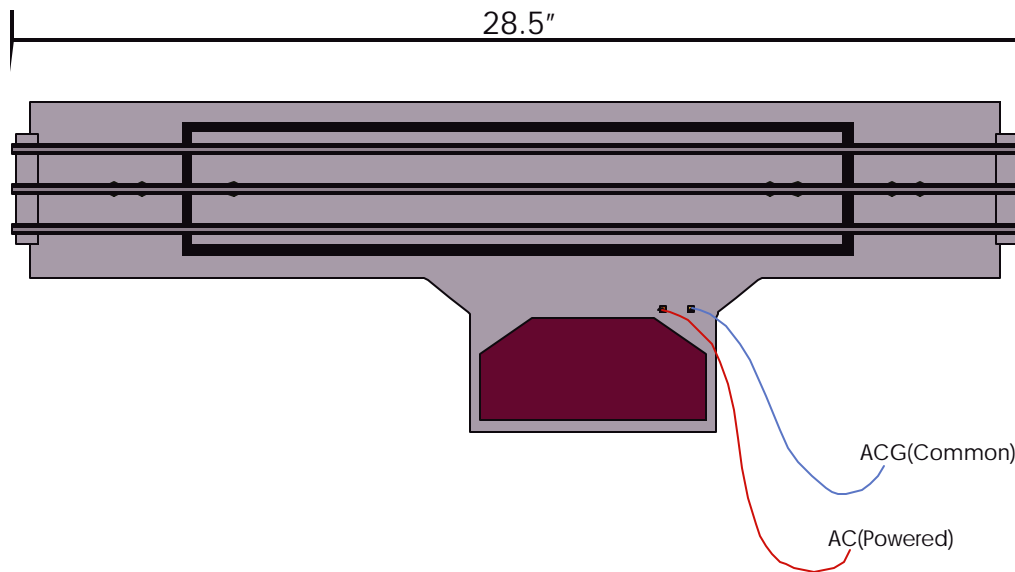


# WIRING YOUR #441 WEIGH SCALE

## LAYOUT:

First, you will need to create a 28 1/2" straight pass of track. In addition, you will need at least 8" of clearance between any parallel lines of track on either side of the weigh scale.



## LIGHTING:

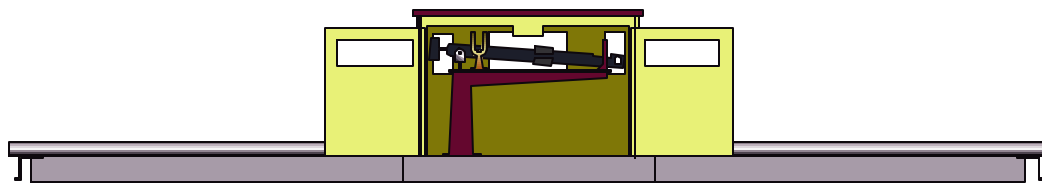
The weigh scale is illuminated by an 18-volt bulb. Connect the AC ground (common) terminal of your transformer to the right side screw terminal (found in front of the house - the terminal does not contain a black fiber insulator).

Connect the AC powered terminal of your transformer to the left side screw terminal.

## OPERATION:

Now, you are ready to operate the #441 Weigh Scale.

To weigh your standard gauge models, simply stop them so that the entire model is on the center section of the rails. Position the slide and/or add brass weights until the slide arm is horizontal.



# TINPLATE TRADITIONS

By MTHElectricTrains®

MTHElectricTrains  
7020 Columbia Gateway Drive  
Columbia, MD 21046

MTH, Rail King and Tinplate Traditions are registered trademarks of MTH Inc., Columbia, MD