



Premier LMS Standard 2-Rail Passenger Set

Thank you for purchasing the MTH Premier Line LMS Standard Passenger Car Set. The cars' durable ABS body and die-cast trucks are traditionally sized for operation on any O-42 radius curve track.

These cars should operate for years with any AC transformer and are completely compatible with most 2-rail locomotives, rolling stock and accessories.

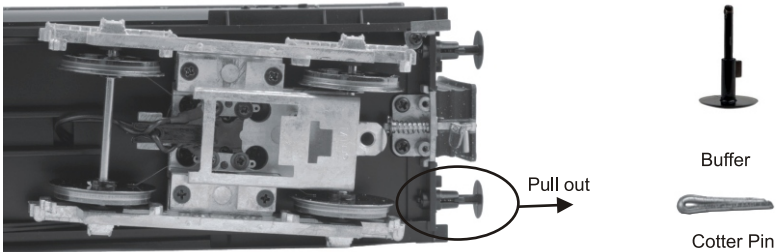
PLEASE READ BEFORE USE AND SAVE
www.mthtrains.com

Set Up

Changing Buffers

For your convenience MTH has included extra buffers with this set. If your buffers become damaged and you wish to change them follow the steps below.

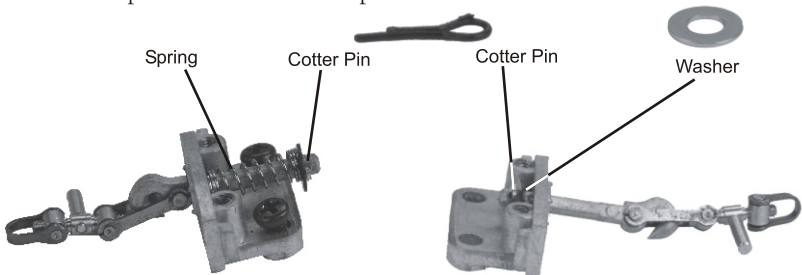
Remove the cotter pin and pull out the old buffer (be careful not to lose the spring). To replace simply slide the new buffer into place and attach with a new pin. Once the new pin is in place bend out the pin to secure it.



Set Up for O-42 Radius

The Premier LMS Standard Passenger Cars come set up to operate on O-42 radius curve track. However you may wish to operate on a smaller radius curve. To operate on a smaller radius curve follow the instructions below. Please note that if you choose to run on smaller radius the cars will only run forward. You will not be able to run in reverse.

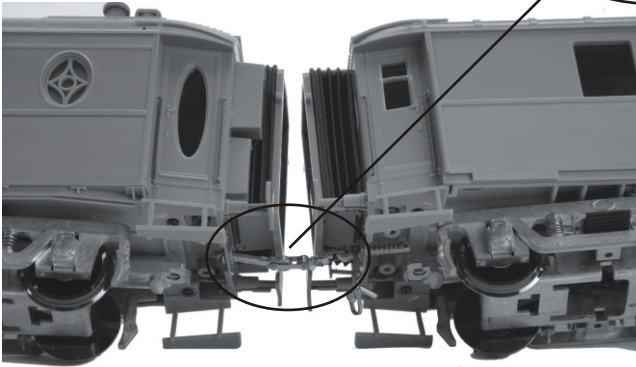
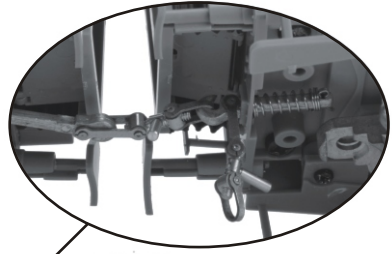
First remove the 2 coupler mounting screws to lower the pilot. Then remove the cotter pin and remove the spring from the coupler. Next apply the washer and reattach the coupler with a new cotter pin.



Coupler Set Up

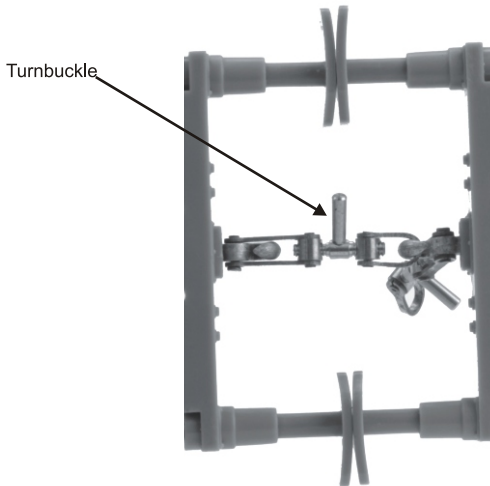
Connecting Couplers

To connect the couplers together use a pair of needle nose pliers and pull the coupler out by the loop. Then connect the loop to the hook on the other car's coupler.



(Reference Photo Only)

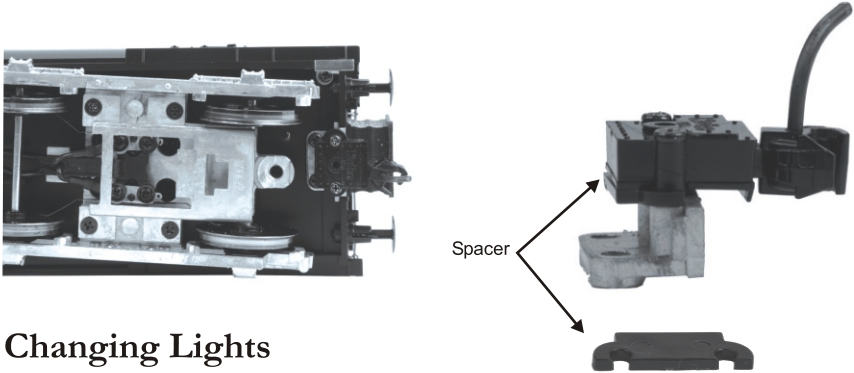
After you connect the couplers together you may want to tighten or loosen the turnbuckle to adjust the space in-between the cars.



Kadee Coupler

The Premier LMS Standard Passenger Cars come equipped with European scale couplers. For your conveniences these cars are also compatible with Kadee #806 couplers.

To install a Kadee coupler first remove the European scale coupler as seen on page two. Remove the cotter pin, washer and spring and slide out the coupler. Then install the separately purchased Kadee Coupler with the Spacer and screws provided, as shown below. Follow the Kadee Coupler's installation guide for complete details on installing the coupler.



Changing Lights

Occasionally, the lights inside the car may need to be replaced. To replace the lamps follow the disassembly instructions on the following illustrations.

Replacement lamps can be obtained directly through MTH Electric Trains (Order online: www.mthtrains.com, e-mail: parts@mth-railking.com, Fax: 410-423-0009, Phone: 410-381-2580, Mail: 7020 Columbia Gateway Drive, Columbia MD 21046-1532,).

First you will need to remove the end railings from the roof. To do this gently pull out the stanchions at the top of the car. Then slide out the railings from the bottom stanchions.

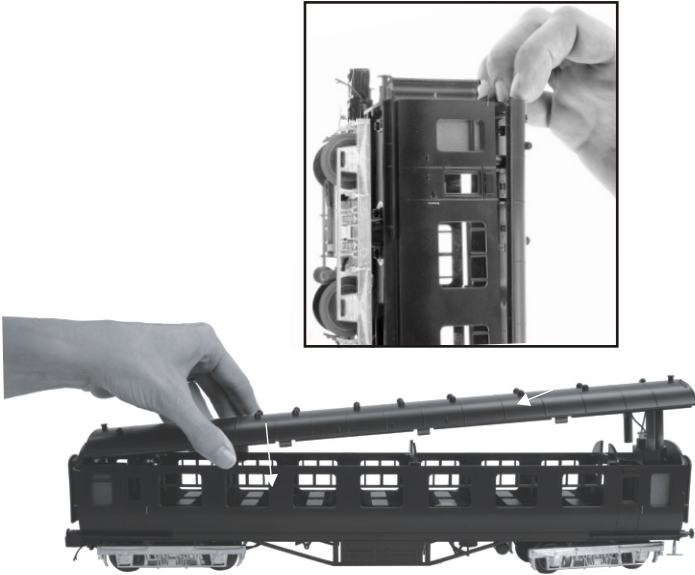


Premier LMS Standard Passenger Car

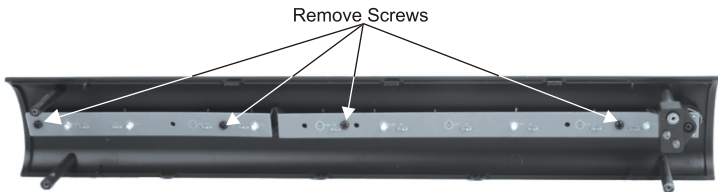
Then remove the 4 roof mounting screws from the undercarriage.



Remove the roof by pulling up on one end and gently lifting the roof away.



Once the body is removed you will see the two light boards. Remove the 4 screws and lower the boards out. Replace with new light boards and reassemble in reverse order.



Service & Warranty Information

How to Get Service Under the Terms of the Limited One-Year Warranty

When you suspect an item is defective, please check the operator's manual for standard operation and trouble-shooting techniques that may correct the problem. Additional information may be found on the M.T.H. Website. Should you still require service, follow the instructions below to obtain warranty service.

First, e-mail, write, call or fax a M.T.H. Authorized Service Center (ASC) in your area to obtain Repair Authorization. You can find the list of ASCs on the M.T.H. Website, www.mth-railking.com. Authorized Service Centers are required to make warranty repairs on items sold *only* from that store; all other repairs may-- or may not be done at the store's own discretion. If you did not purchase the item directly from the ASC, you will need to select a National Authorized Service Center (NASC). These centers are compensated by M.T.H. to perform warranty service for any customer whose repair qualifies for warranty service. A list of NASC retailers can be located on the M.T.H. Website or by calling 410-381-2580. Should the warranty no longer apply, you may choose either an ASC or NASC retailer to service your M.T.H. Product. A reasonable service fee will be charged.

CAUTION: Make sure the product is packed in its original factory packaging including its foam and plastic wrapping material to prevent damage to the merchandise. There is no need to return the entire set if only one of the components is in need of repair *unless otherwise instructed by the Service Center*. **The shipment must be prepaid and we recommend that it be insured. A cover letter including your name, address, daytime phone number, e-mail address (if available), Return Authorization number (if required by the service center, a copy of your sales receipt and a full description of the problem must be included to facilitate the repairs. Please include the description regardless of whether you discussed the problem with a service technician when contacting the Service Center for your Return Authorization.**

Please make sure you have followed the instructions carefully before returning any merchandise for service. Authorized M.T.H. Service Centers are independently owned and operated and are not agents or representatives of M.T.H. Electric Trains. M.T.H. assumes no responsibility, financial or otherwise, for material left in their possession, or work done, by privately owned M.T.H. Authorized Service Centers. If you need assistance at any time email MTH Service at service@mth-railking.com, or call 410 381-2580.

Limited One-Year Warranty

All M.T.H. products purchased from an Authorized M.T.H. Retailer are covered by this warranty. See our Website www.mthtrains.com to identify an M.T.H. Retailer near you.

M.T.H. products are warrantied for one year from the date of purchase against defects in material or workmanship, excluding wear items such as light bulbs, pick-up rollers, batteries, smoke unit wicks, and traction tires. We will repair, replace, or credit (at our option) the defective part without charge for the parts or labor, if the item is returned to an M.T.H. Authorized Service Center (ASC) or M.T.H. National Authorized Service Center (NASC) within one year of the original date of purchase. This warranty does not cover damages caused by improper care, handling, or use. Transportation costs incurred by the customer are not covered under this warranty.

Items sent for repair must be accompanied by a return authorization number, a description of the problem, and a **copy of the original sales receipt from an Authorized M.T.H. Train Merchant**, which gives the date of purchase. If you are sending this product to an Authorized Service Center, contact that Center for their return authorization.

This warranty gives you specific legal rights, and you may have other rights that vary from state to state. Specific questions regarding the warranty may be forwarded to M.T.H. Directly.

Service Department:
M.T.H. Electric Trains
7020 Columbia Gateway Drive
.Columbia MD 21046-1532