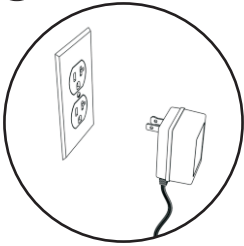


CHARGING JACK OPERATING INSTRUCTIONS

Many M.T.H. locomotives now come equipped with a built-in battery recharging port on the bottom of the chassis. Now you can recharge the battery in your Proto-Sound 2.0 engine without leaving it on the track overnight. To use the Battery charger please follow steps 1, 2 and 3 below.

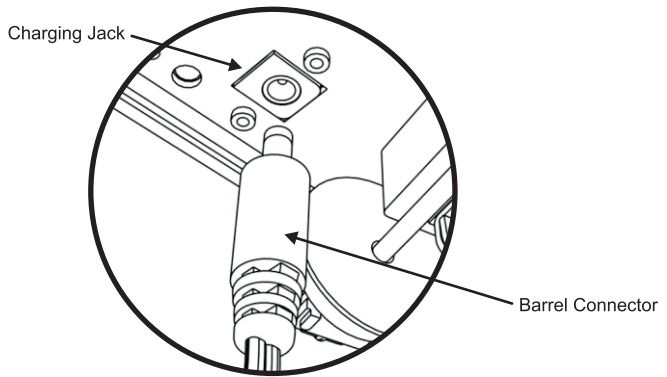
①



Plug the charger into a wall outlet.

②

Plug the cord with the barrel connector into the charging jack on the bottom of your engine's tender (in some cases the port is in the engine itself).



③



12 Hours

Leave the engine plugged in for a full twelve (12) hours to ensure a full charge.