

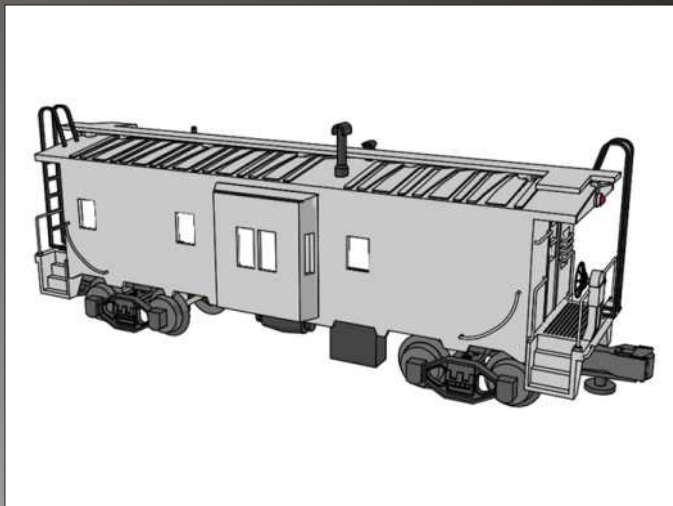


# M.T.H.

ELECTRIC TRAINS, INC.

7020 Columbia Gateway Drive  
Columbia, MD 21046-1532

[www.mth-railking.com](http://www.mth-railking.com)



The RailKing® Bay Window Caboose offers a new level of excitement and realism for your O Gauge model railroad. Constructed from sturdy ABS plastic, the Bay Window Caboose was created from quality components and has been designed for years of operation.

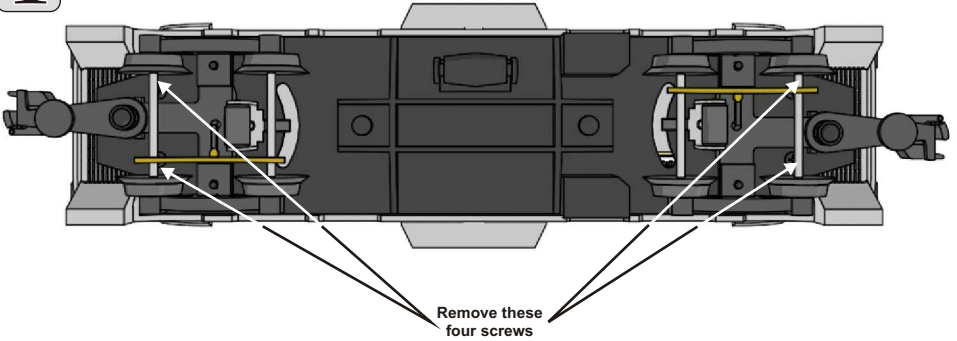
The RailKing® Bay Window Caboose comes fully assembled, decorated and ready for use right out of the box. The Bay Window Caboose features an illuminated interior and exterior marker lights, controlled from track power. Use and operation is made easy by following the instructions on the following pages.

# Bay Window Caboose

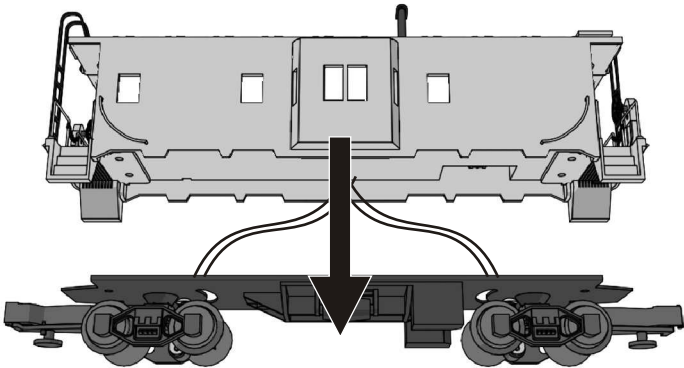
# INSTRUCTIONS

To replace the interior light bulbs, follow these steps. **STEP 1** To remove the shell from the chassis, remove the four mounting screws located underneath the trucks. **STEP 2** With the four screws removed, lower the chassis from the shell, take care not to pull the wires out.

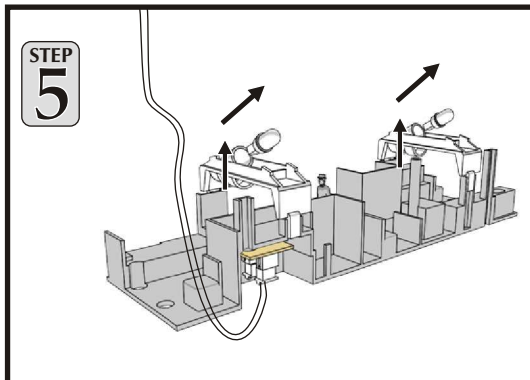
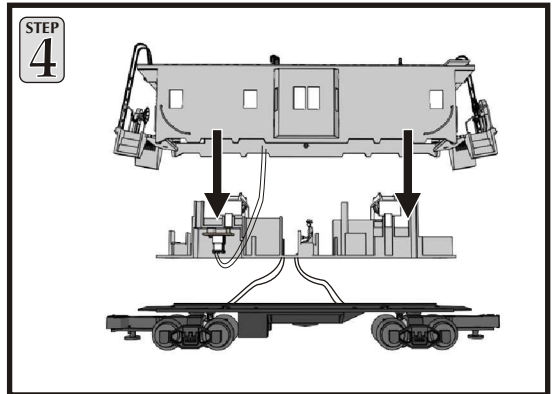
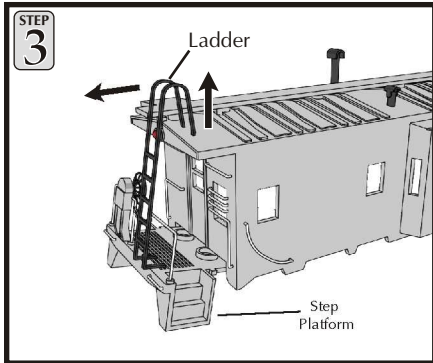
**STEP**  
**1**

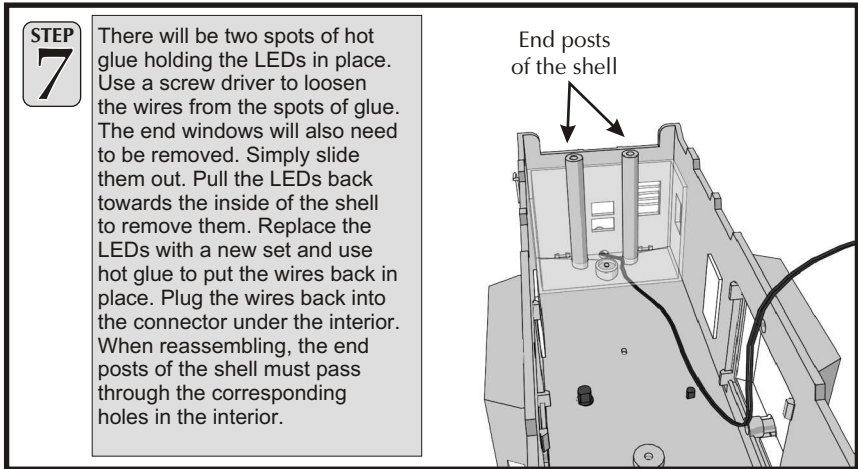
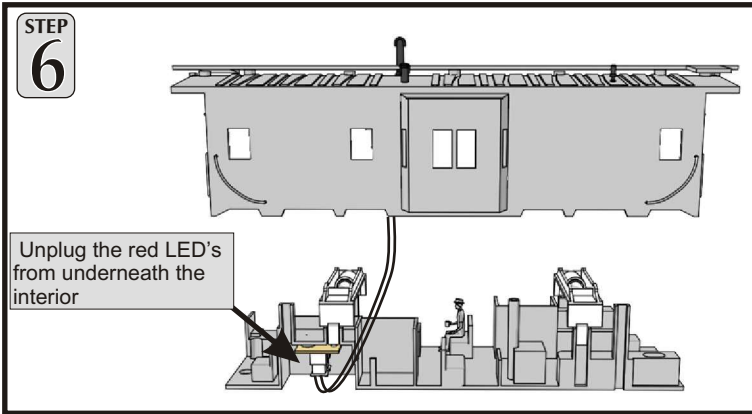


**STEP**  
**2**



**STEP 3** To be able to separate the interior from the shell you need to remove the step platform from both ends. In order to do this you need to loosen the Ladder from the Catwalk. You must do this carefully so that you don't scratch the paint on the roof of the caboose. First remove the ladder from the Catwalk by pulling the ladder upward and outward. You can then remove the step platforms. **STEP 4** With the step platforms loosened you can then lower the interior from the shell (to completely remove the body from the interior, go to Step 6 which is found on page 4). **STEP 5** You can now replace the bulbs by pushing the socket up from the bulb holder and pulling the bulb from its socket. Replace with a new one, and reverse the steps to reassemble the caboose. To replace the two red LED lights at the end of the caboose follow steps 1-4 & 6-7.





You can obtain replacement bulbs directly from the M.T.H. Parts Department (phone: 410-381-2580; e-mail: [parts@mth-railking.com](mailto:parts@mth-railking.com); mail: 7020 Columbia Gateway Drive, Columbia MD 21046-1532







## How to Get Service Under the Terms of the Limited One-Year Warranty

For warranty repair, do not return your product to the place of purchase. Instead, follow the instructions below to obtain warranty service, as our dealer network is not prepared to service the product under the terms of this warranty.

1. First, write, call or FAX M.T.H. Electric Trains, 7020 Columbia Gateway Drive, Columbia, MD 21046, (Tel: 410-381-2580; FAX : 410-423-0009; e-mail: [service@mth-railking.com](mailto:service@mth-railking.com)), stating when it was purchased and what seems to be the problem. You will be given a return authorization number to assure that your merchandise will be properly handled upon its receipt.
2. CAUTION: Make sure the product is packed in its original factory packaging including its foam and plastic wrapping material so as to prevent damage to the merchandise. The shipment must be prepaid and we recommend that it be insured. *A cover letter including your name, address, daytime phone number, e-mail address (if available), Return Authorization number, a copy of your sales receipt and a full description of the problem must be included to facilitate the repairs. Please include the description regardless of whether you discussed the problem with one of our service technicians when contacting M.T.H. for your Return Authorization number.*
3. Please make sure you have followed the instructions carefully before returning any merchandise for service.

### Limited One-Year Warranty

**All M.T.H. products purchased from an Authorized M.T.H. Train Merchant are covered by this warranty.**

See our website at [www.mth-railking.com](http://www.mth-railking.com) or call 1-888-640-3700 to identify an Authorized M.T.H. Train Merchant near you.

M.T.H. products are warrantied for one year from the date of purchase against defects in material or workmanship, excluding light bulbs and traction tires. We will repair or replace (at our option) the defective part without charge for the parts or labor, if the item is returned to M.T.H. Electric Trains within one year of the original date of purchase. This warranty does not cover damages caused by improper care, handling, or use. Transportation costs incurred by the customer are not covered under this warranty.

Items sent for repair must be accompanied by a return authorization number, a description of the problem, and the **original sales receipt from an Authorized M.T.H. Train Merchant**, which gives the date of purchase. Call 410-381-2580, fax 410-423-0009, or e-mail the Service Department at [service@mth-railking.com](mailto:service@mth-railking.com) to obtain a return authorization number.

This warranty gives you specific legal rights, and you may have other rights that vary from state to state.

Service Department  
M.T.H. Electric Trains  
7020 Columbia Gateway Drive  
Columbia MD 21046-1532