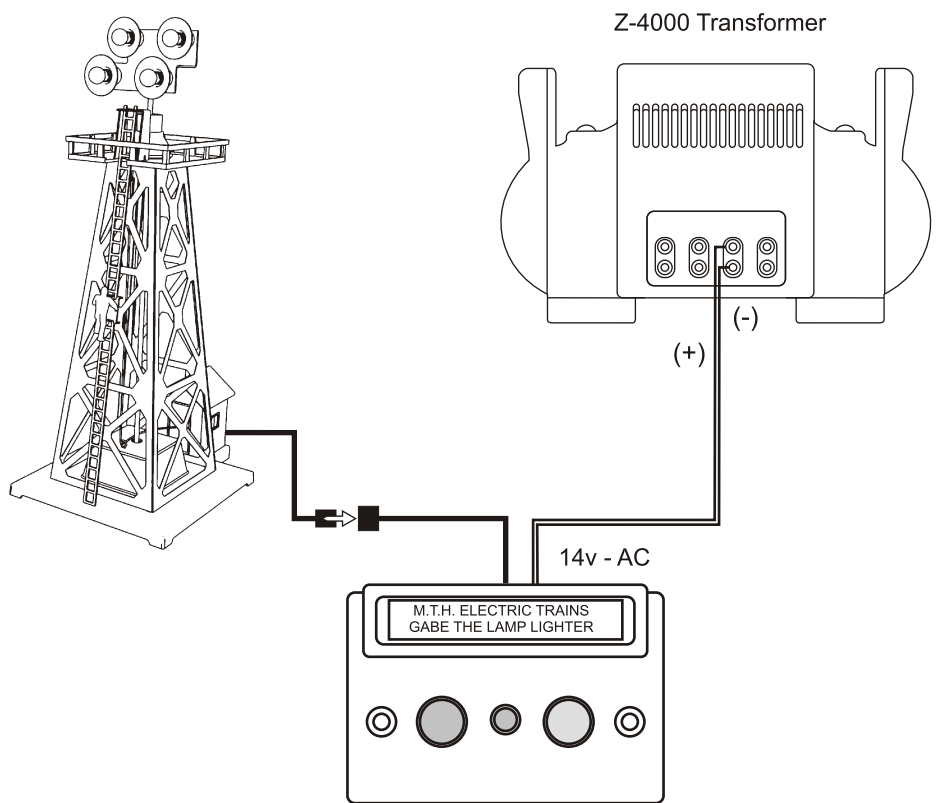


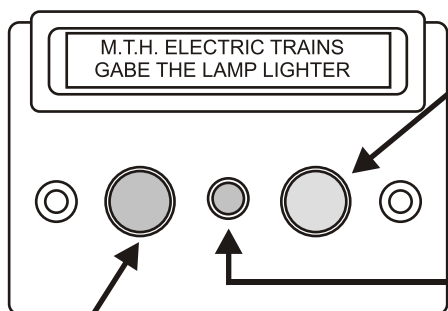
Gabe The Lamplighter

Assembly and Wiring

Gabe the Lamplighter arrives requiring minimal assembly. Simply remove the tower and controller and place them in the desired location on your layout. The controller may be located up to 4 feet from the tower, with the cable hidden neatly beneath your layout. To run the cable under your layout, drill a 3/4 inch hole in your layout where the tower is to be placed and insert the cable into the hole. Connect the controller to the tower using the built in cable connector. Finally, attach the wires



Operation



Step 2

When Gabe reaches the top of the tower, press the large red button and rotate it 1/4 turn counter-clockwise to **turn on the floodlights**.

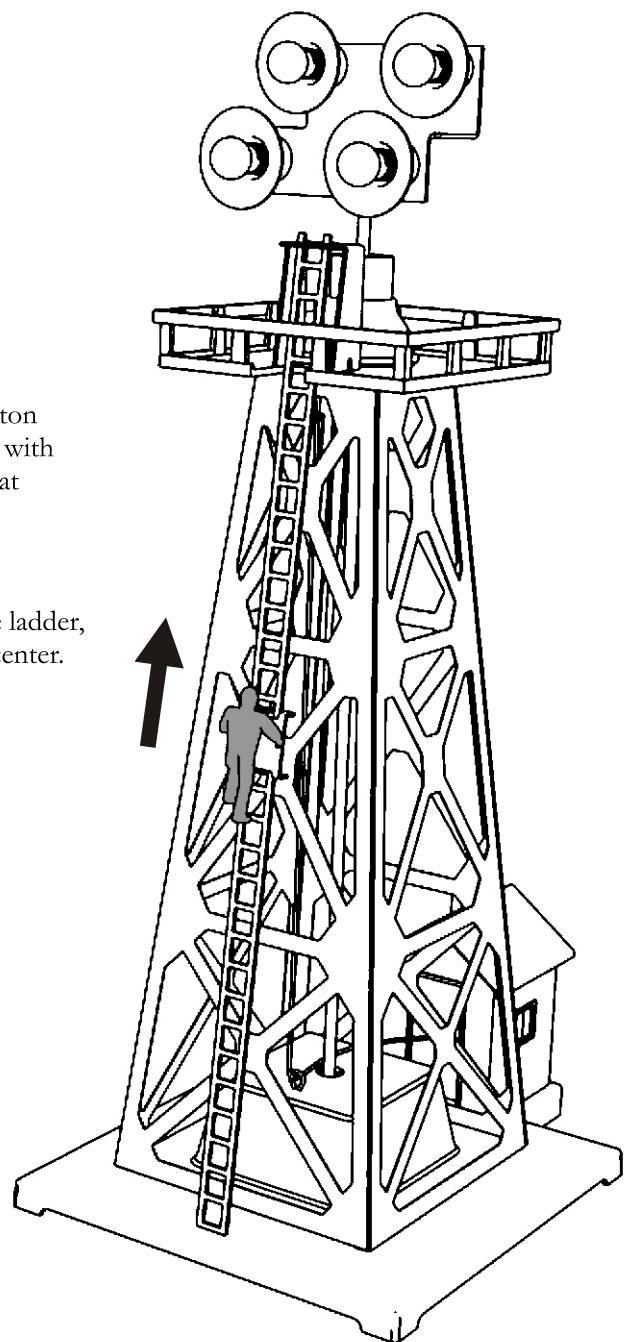
To **turn off the floodlights**, return the large red button to its original position by pressing and rotating it 1/4 turn clockwise.

Step 1

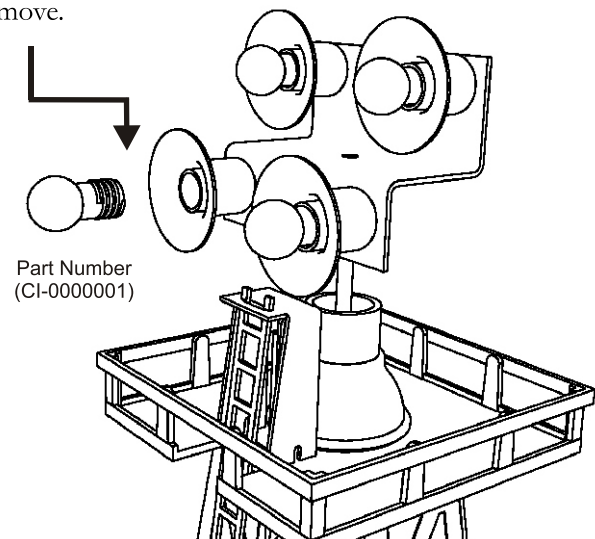
Press and release the green button and Gabe will climb the ladder with each press of the button. Repeat until Gabe reaches the top.

Step 3

To return Gabe to the base of the ladder, press the small red button in the center.



To replace the 14 volt bulb, turn counter-clockwise and remove.



Bulb Replacement

Replacement 14 volt bulbs (Part No. CI-0000001) are available directly from the M.T.H. Parts Department
phone: 410-381-2580

FAX: 410-423-0009;

e-mail: parts@mth-railking.com;

mail: 7020 Columbia Gateway Drive, Columbia MD 21046-1532