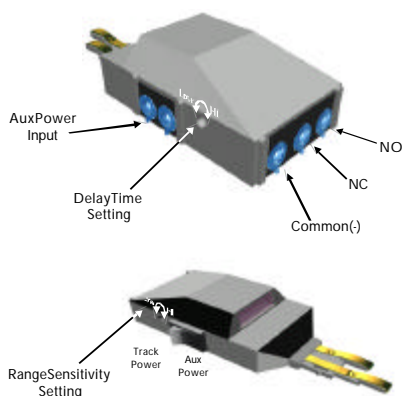


## REALTRAX® I.T.A.D. INSTRUCTIONS:

1. Attach the RealTrax® ITAD to your layout in the desired location.
2. Set the rocker switch for either track power or auxiliary power operation.
  - For track power operation, power applied to the track will be available to power accessories through the ITAD. *(Note: the RealTrax® outside rails are electrically isolated from each other. Unless the wheels of your consist are touching both outside rails, the ITAD must be connected to the same outside rail as a powered lock-on).*
  - For auxiliary power operation, connect AC power and ground outputs from an auxiliary power source to the auxiliary power inputs found on the opposite side of the ITAD from the rocker switch. *(Note: switching the rocker switch to auxiliary power operation completely isolates track power from any accessory connected to the ITAD. The infrared sensing circuit and accessory power outputs will only operate if auxiliary power is applied).*
3. Connect your accessory to the Normally Open (NO), Common (-), and/or Normally Closed (NC) terminals at the back of the ITAD. (See your accessory instructions for proper wiring).
4. Adjust the sensitivity range and activation timing of your ITAD to fit your layout & operational needs.
  - Loosen/tighten the nylon screw in the right housing port to adjust the Range Sensitivity Setting (distance).
  - Loosen/tighten the nylon screw in the left housing port to adjust the Delay Time Setting (the amount of time you wish the ITAD to remain 'activated' can be set between zero and 15 seconds).

### I.T.A.D. Controls and Connections



### Connecting the I.T.A.D. to RealTrax

