



M.T.H.

ELECTRIC TRAINS.

7020 Columbia Gateway Drive
Columbia, MD 21046-1532

www.mth-railking.com



The RailKing® One Gauge Freight Cars let you bring increased realism to your One Gauge layout. Constructed from sturdy Polycarbonate plastic, One Gauge Freight Cars are created from quality components and have been designed for years of operation. RailKing® One Gauge Freight Cars come fully assembled, decorated and ready for use right out of the box. They are the perfect addition to any One Gauge railroad layout.

One Gauge Freight Cars

COUPLER SET UP

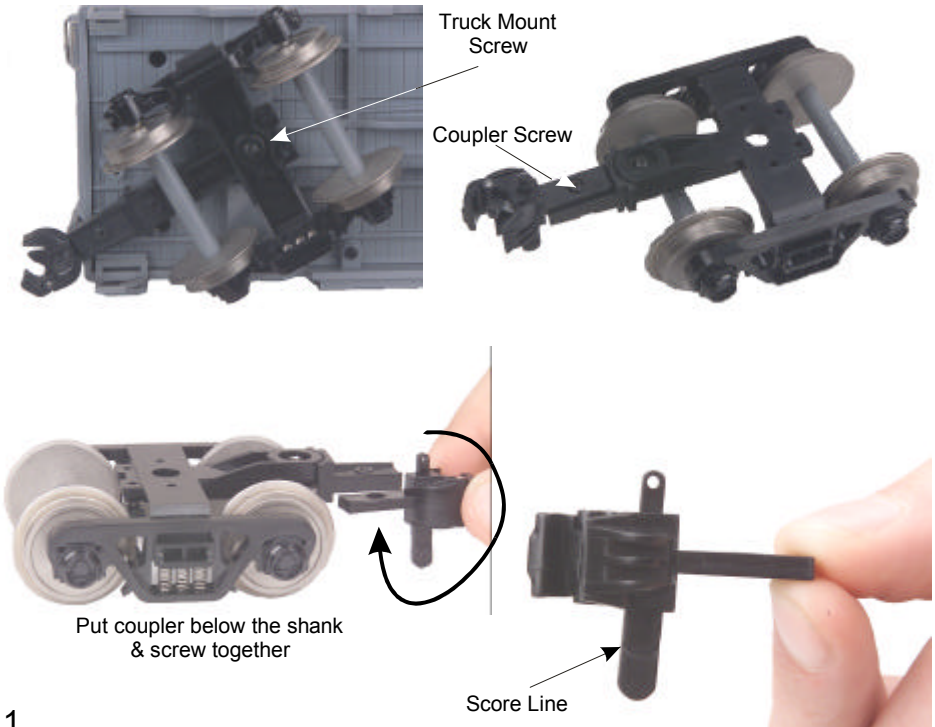
This RailKing One-Gauge Freight Car can be equipped with three different types of G-Gauge couplers - an MTH knuckle coupler, an MTH hook & loop coupler or a 1/32nd (#1 Scale) Kadee coupler. For your convenience, the MTH knuckle couplers, hook & loop couplers and 2 spacers for Kadee coupler mounting have been included with your Freight Car. The Kadee type must be the 1/32nd (#1 Scale) size and can be purchased from a Kadee coupler retailer. Both the standard knuckle and the hook and loop coupler designs attach to the truck. The Kadee coupler mounts directly onto the Freight Car's frame.

Knuckle Coupler

All MTH Freight Cars come with the knuckle coupler attached at 1/32nd height (which closely lines up with LGB couplers). The height of the coupler can be adjusted to mate up with the freight cars, passenger cars and locomotives of other manufacturers (USA, Lionel etc.).

To lower the coupler you will need to:

1. Remove the truck mounting screw.
2. Remove the coupler screw.
3. Put the coupler on the bottom of the shank and screw it on.
4. Then cut the armature pin at the score line.
5. Reassemble in reverse order.



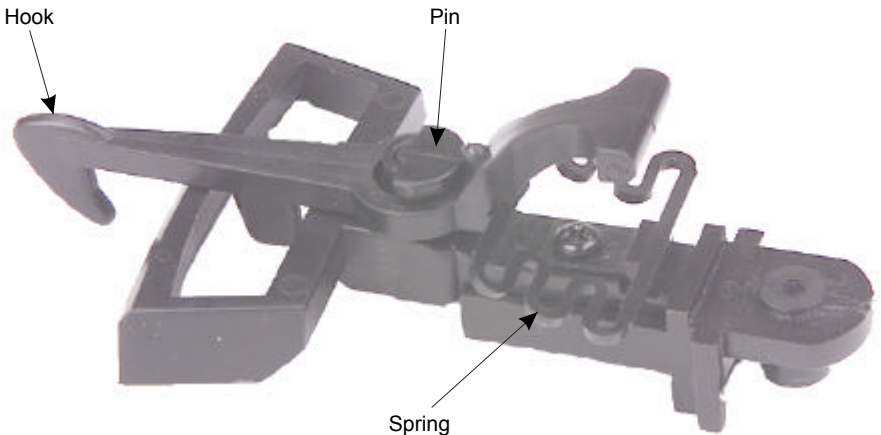
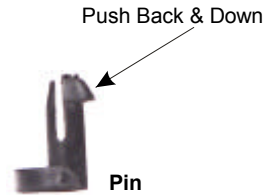
Hook and Loop Coupler

You can configure the Hook and Loop coupler 2 different ways. You can apply the Hook and Loop on both sides of the car (you will need two manual uncouplers on the track to uncouple) or a Hook and Loop on one side and just the Loop on the other side (you will need 1 manual uncoupler on the track to uncouple). To install the Hook and Loop coupler, follow the same installation steps for the knuckle coupler and screw the Hook and Loop coupler onto the bottom of the shank. To equip just the Loop, you will need to remove the pin, the Hook and the spring before screwing the coupler to the shank. To remove the pin you will need to use a standard screw driver to push the larger side of the locking pin in a back and downward motion.



Hook & Loop Configured

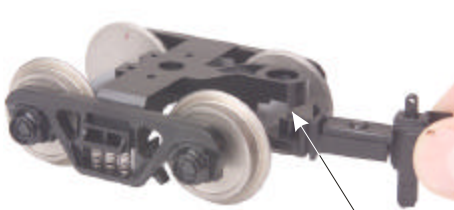
Loop Configured



Kadee Coupler

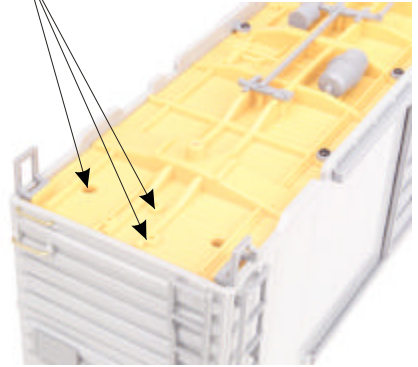
To install a 1/32nd (#1 Scale) Kadee coupler:

1. Remove the truck mounting screw. (See page 1)
2. Remove the screw that holds the coupler shank to the truck frame.
3. Turn the truck backward, so the arm of the truck is point towards the center of the car. (A slight modification to the undercarriage may be necessary to allow the truck to swing freely)
4. Replace truck mounting screw.
5. Aline the spacer provided and the Kadee coupler with the Kadee coupler mounts on the base.
6. Screw the coupler to the frame of the car.



Remove Screw holding coupler shank

Frame Mounting Screw Holes



Spacer

Service & Warranty Information

How to Get Service Under the Terms of the Limited One-Year Warranty

When you suspect an item is defective, please check the operator's manual for standard operation and trouble-shooting techniques that may correct the problem. Additional information may be found on the M.T.H. Website. Should you still require service, follow the instructions below to obtain warranty service.

First, e-mail, write, call or fax a M.T.H. Authorized Service Center (ASC) in your area to obtain Repair Authorization. You can find the list of ASCs on the M.T.H. Website, www.mth-railking.com. Authorized Service Centers are required to make warranty repairs on items sold *only* from that store; all other repairs may-- or may not be done at the store's own discretion. If you did not purchase the item directly from the ASC, you will need to select a National Authorized Service Center (NASC). These centers are compensated by M.T.H. to perform warranty service for any customer whose repair qualifies for warranty service. A list of NASC retailers can be located on the M.T.H. Website or by calling 1-888-640-3700. Should the warranty no longer apply, you may choose either an ASC or NASC retailer to service your M.T.H. Product. A reasonable service fee will be charged.

CAUTION: Make sure the product is packed in its original factory packaging including its foam and plastic wrapping material to prevent damage to the merchandise. There is no need to return the entire set if only one of the components is in need of repair *unless otherwise instructed by the Service Center*. ***The shipment must be prepaid and we recommend that it be insured. A cover letter including your name, address, daytime phone number, e-mail address (if available), Return Authorization number (if required by the service center, a copy of your sales receipt and a full description of the problem must be included to facilitate the repairs. Please include the description regardless of whether you discussed the problem with a service technician when contacting the Service Center for your Return Authorization.***

Please make sure you have followed the instructions carefully before returning any merchandise for service. Authorized M.T.H. Service Centers are independently owned and operated and are not agents or representatives of M.T.H. Electric Trains. M.T.H. assumes no responsibility, financial or otherwise, for material left in their possession, or work done, by privately owned M.T.H. Authorized Service Centers.

If you need assistance at any time email MTH Service at service@mth-railking.com, or call 410 381-2580.

Limited One-Year Warranty

All M.T.H. products purchased from an Authorized M.T.H. Train Merchant are covered by this warranty.

See our website at www.mth-railking.com or call 1-888-640-3700 to identify an Authorized M.T.H. Train Merchant near you.

M.T.H. products are warranted for one year from the date of purchase against defects in material or workmanship, excluding wear items such as light bulbs, pick-up rollers, batteries, smoke unit wicks, and traction tires. We will repair or replace (at our option) the defective part without charge for the parts or labor, if the item is returned to an M.T.H. Authorized Service Center (ASC) or M.T.H. National Authorized Service Center (NASC) within one year of the original date of purchase. This warranty does not cover damages caused by improper care, handling, or use. Transportation costs incurred by the customer are not covered under this warranty.

Items sent for repair must be accompanied by a return authorization number, a description of the problem, and **a copy of the original sales receipt from an Authorized M.T.H. Train Merchant**, which gives the date of purchase. If you are sending this product to an Authorized Service Center, contact that Center for their return authorization.

This warranty gives you specific legal rights, and you may have other rights that vary from state to state. Specific questions regarding the warranty may be forwarded to M.T.H. directly.



AUTHORIZED SERVICE CENTER

7020 Columbia Gateway Dr. - Columbia, MD 21046

Information: 410-381-2580 Fax: 410-381-6122

www.mth-railking.com

PARTICIPATING N.A.S.C. RETAILER LIST

CANADA

TOY TRAIN WORKSHOP
CUMBERLAND
613-833-3125

THE TRAIN ROOM
ERGUS
519-787-3280

CALIFORNIA
TIN PLATE JUNCTION
OAKLAND
510-444-4780

COLORADO

MIZELL TRAINS INC
WESTMINSTER
303-429-4811

CONNECTICUT

NEW ENGLAND HOBBY
SUPPLY
MANCHESTER
860-646-0610

FLORIDA

ROUNDHOUSE SOUTH
PORT ORANGE
386-304-7002

MARYLAND

PLAZA HOBBY
CUMBERLAND
301-729-6424

ENGINE HOUSE HOBBIES
GAITHERSBURG
301-590-0816

CATOCTIN MOUNTAIN TRAINS
THURMONT
301-694-8331

MICHIGAN

MICHIGAN MODEL TRAIN
CENTER
PINCKNEY
734-426-1651

BRASSEUR ELECTRIC TRAINS,
INC.
SAGINAW
989-793-4753

NEW HAMPSHIRE

TREASURED TOYS
SALEM
603-898-7224

NEW YORK

AURORA RAILS & HOBBIES
EAST AURORA
716-652-5718

OHIO

DAVIS ELECTRONICS
MILFORD
513-831-6425

RICK'S TOY TRAINS
TOLEDO
419-478-0171

PENNSYLVANIA

BUSSINGER TRAINS
AMBLER
215-628-2366

FAIRCHANCE PHARMACY
FAIRCHANCE
724-564-7817

THE STATION
NEW CUMBERLAND
717-774-7096

VIRGINIA

LOCUST GROVE TRAINS
LOCUST GROVE
540-854-8955

DAVIS HOBBY SUPPLIES
PORTSMOUTH
757-397-1983

T S G HOBBIES
WARRENTON
540-347-9212

WISCONSIN

SOMMERFELD'S TRAINS
BUTLER
262-783-7797

GRAMPA'S TRAIN SHOP
RICE LAKE
715-234-2996



AUTHORIZED SERVICE CENTER

7020 Columbia Gateway Dr. - Columbia, MD 21046

Information: 410-381-2580 Fax: 410-381-6122

www.mth-railking.com

PARTICIPATING A.S.C. RETAILER LIST

CANADA

TOY TRAIN WORKSHOP
CUMBERLAND
613-833-3125

THE TRAIN ROOM
ERGUS
519-787-3280

CREDIT VALLEY RAILWAY
COMPANY
STREETSVILLE
905-826-1306

B&H TRAINS
TERREBONNE, QUEBEC
450-492-0317

ALABAMA

SOUTHERLAND STATION
HUNTSVILLE
256-533-4720

LIL' BOBBY'S HOBBIES
MONTGOMERY
334-277-1715

ARIZONA

ARIZONA TRAIN DEPOT
MESA
480-833-9486

CENTRAL COAST TRAINS
ATASCADERO
805-466-1391

CALIFORNIA

CENTRAL COAST TRAINS
ATASCADERO
805-466-1391

TRAIN SHACK
BURBANK
818-842-3330

ROUNDHOUSE
NORTH HOLLYWOOD
818-769-0403

DOLLHOUSES, TRAINS &
MORE
NOVATO
415-883-0388

TIN PLATE JUNCTION
OAKLAND
510-444-4780

RON'SWORLD
SAN CLEMENTE
949-361-5596

TRUCKS & TRAINS HOBBIES
SANTA ROSA
707-537-6586

COLORADO

CUSTOM RAILWAY SUPPLY
COLORADO SPRINGS
719-634-4616

MIZELL TRAINS INC
WESTMINSTER
303-429-4811

CONNECTICUT

NEW ENGLAND HOBBY
SUPPLY
MANCHESTER
860-646-0610

DELAWARE

K R R B MODEL TRAINS INC.
NEWARK
302-292-2779

FLORIDA

HOLLYWOOD STATION
HOLLYWOOD
954-921-2700

DEPOT HOBBY SHOP
LAKE WORTH
561-585-1982
READY TO ROLL
MIAMI
305-688-8868

FRANK'S TRAINS & HOBBIES
INC.
OLDSMAR
813-855-1041

COLONIAL PHOTO & HOBBY
ORLANDO
407-841-1485

WARRICK CUSTOM HOBBIES
PLANTATION
954-370-0708

ROUNDHOUSE SOUTH
PORT ORANGE
386-304-7002

ILLINOIS

BIKE & CHOO CHOO
CONNECTION
SCHAUMBURG
847-882-7728

INDIANA

Y. O. R. K. TRAINS
MUNSTER
219-838-9999

SAMUELSON'S TRAIN SHOP
VALPARAISO
219-462-2708

IOWA

CABOOSE STOP HOBBIES
CEDAR FALLS
800-642-7012

KENTUCKY

L & N TRAINS & THINGS
LOUISVILLE
502-897-9005

LOUISIANA

AMERICA'S TRAIN YARD
BATON ROUGE
225-926-5592

MAINE

WHEELS, WINGS & THINGS
LUDLOW
207-532-6277

MARYLAND

PLAZA HOBBY
CUMBERLAND
301-729-6424

HOBBYTOWN U S A
FREDERICK
301-694-7395

ENGINE HOUSE HOBBIES
GAITHERSBURG
301-590-0816

J & B TRAINS
HAGERSTOWN
240-420-4930

THE TRAIN ROOM
HAGERSTOWN
301-745-6681

PURKEY'S TOY TRAINS
SYKESVILLE
410-549-6061

CATOCTIN MOUNTAIN TRAINS
THURMONT
301-694-8331

N & W TRAIN SHED
WILLIAMSPORT
301-223-8801

MASSACHUSETTS

NORTHEAST TRAINS
PEABODY
978-532-1615
EAST BAY HOBBIES
SEEKONK
508-336-5573

MICHIGAN

MICHIGAN MODEL TRAIN
CENTER
PINCKNEY
734-426-1651

BRASSEUR ELECTRIC TRAINS,
INC.
SAGINAW
989-793-4753

MISSOURI

SWITCH STAND
SAINT LOUIS
314-781-4458

MARK TWAIN HOBBY CENTER
ST. CHARLES
636-946-2816

NEVADA

RENO RAILS
RENO
775-337-6669

NEW HAMPSHIRE

RAILROAD SPECIALTIES
NASHUA
603-801-0801

TREASURED TOYS
SALEM
603-898-7224

NEW JERSEY

COUNTRY AND STUFF
ANDOVER
973-786-7086

COLUMBUS TRAIN STATION
COLUMBUS
609-518-1800

ATLANTIC RAILS
HAMMONTON
609-567-8490

GRAND CENTRAL STATION
KEARNY
201-955-6200

J & B TRAINS, INC.
MAPLE SHADE
856-414-0092

HOBBY SHOP
MATAWAN
732-583-0505

HOBBYMASTERS, INC
RED BANK
732-842-6020

RIDGEFIELD HOBBY
RIDGEFIELD
201-943-2636

TRAINS & THINGS
TRENTON
609-883-8790

COAST TRAINS AND
COLLECTIBLES
WALL
732-556-9005

HOLLY BEACH TRAIN DEPOT
WILDWOOD
609-522-2379

NEW YORK

AURORA RAILS & HOBBIES
EAST AURORA
716-652-5718

NASSAU HOBBY CENTER, INC.
FREEPORT
516-378-9594

HOBBY WORLD
MONTICELLO
845-794-8770

CITY DEPOT, INC.
NEW HAMPTON
845-374-3010

AMERICANA STORE
TIVOLI
845-757-4246

KROSS HARDWARE
WEST BABYLON
631-669-3069

NORTH CAROLINA

THE ROUNDHOUSE &
BACKSHOP
CARY
919-465-0810

TRAINS LTD.
CHARLOTTE
704-566-9070

DRY BRIDGE STATION
MOUNT AIRY
336-786-9811

THE FREIGHT YARD
SMITHFIELD
919-934-6229

TRAIN LOFT
WINSTON-SALEM
336-760-9817

OHIO

GLEN'S TRAIN SHOP
AKRON
330-253-6527

E & S TRAINS
AKRON
330-745-0785

T & K HOBBY SHOP
BRIDGEPORT
740-633-6607

SCHAFFNER'S TRAINS
CANTON
330-452-4444

TRAINS-N- THINGS
CANTON
330-499-1666

PARMA HOBBY
CLEVELAND
216-741-6440

SANDY'S HOBBY'S &
COLLECTIBLES
ELYRIA
440-365-9999

HUDSON TOY, TRAIN &
HOBBY
HUDSON
330-653-2997

CLEARVIEW TRAIN & HOBBY
LORAIN
440-277-4488

DIXIE UNION STATION
MASON
513-459-0460

DAVIS ELECTRONICS
MILFORD
513-831-6425

GRAND PACIFIC JUNCTION
OLMSTEAD FALLS
440-235-4777

RICK'S TOY TRAINS
TOLEDO
419-478-0171

ERIE RAILWAY DEPOT
TROY
937-440-9972

PENNSYLVANIA
AMERICAN HOBBY CENTER
ALIQUIPPA
724-378-3930

ALLENTOWN TOY TRAIN
SERVICE
ALLENTOWN
610-821-0740

ON THE RIGHT TRACK
ALTOONA
814-942-4345

BUSSINGER TRAINS
AMBLER
215-628-2366

YE OLDE TRAIN & CHRISTMAS
SHOPPE
BOYERTOWN
610-369-0755

CHARLEROI SWEEPER
CENTER
CHARLEROI
724-483-3397

CRANBERRY HOBBY DEPOT
CRANBERRY TWP
724-776-3640

FAIRCHANCE PHARMACY
FAIRCHANCE
724-564-7817

TOY TRAIN STATION
FEASTERVILLE TREV
215-322-5182

THE CABOOSE
LEHIGHTON
570-386-5352

HOBBY CITY
McMURRAY
724-942-2557

THE STATION
NEW CUMBERLAND
717-774-7096

FRYER'S STORE
ORWIGSBURG
570-366-2258
CHESTNUT TOYBOX
PHILADELPHIA
215-545-0455

TOBY TYLER'S HOBBY
CENTER
PITTSBURGH
412-653-5030

C. T. MC CORMICK HARDWARE
ZELIENOPE
724-452-6130

SOUTH CAROLINA
EMERALD TRAIN & HOBBY
GREENWOOD
864-223-2247

TENNESSEE
MODEL RAILROAD & HOBBY
SHOP
MEMPHIS
901-384-6500

TEXAS
HOBBY TIME
AMARILLO
806.352.9660

RIVERVIEW TRAINS
ANGLETON
979-848-3895

GREAT TRAINS & HOBBIES
LONGVIEW
903-757-2720

VIRGINIA
LOCUST GROVE TRAINS
LOCUST GROVE
540-854-8955

TRAINS, ETC.
LORTON
703-550-1779

TRAIN DEPOT
MANASSAS
703-335-2216

CHESTERFIELD HOBBIES
MIDLOTHIAN
804-379-9091

DAVIS HOBBY SUPPLIES
PORTSMOUTH
757-397-1983

TOY TRAIN CENTER
RICHMOND
804-288-4475

T S G HOBBIES
WARRENTON
540-347-9212

NORGE STATION
WILLIAMSBURG
757-564-7623

WEST VIRGINIA
PATRICK'S TRAINS
WHEELING
304-232-0714

WISCONSIN
SOMMERFELD'S TRAINS
BUTLER
262-783-7797

WOODCRAFTER'S
BURLINGTON
262-763-5239

HOBBY OUTLET
FOND DU LAC
920-924-3770

G B T V & TRAINS
GREEN BAY
920-496-9697

GRAMPA'S TRAIN SHOP
RICE LAKE
715-234-2996

THE TRAIN STORE
WAUKESHA
262-650-6675